



VANITY TOPS · BEAUTIFUL · FOREVER



## Vanity Tops · Beautiful · Forever

The right choice for durability and strength, Duroclass is the manufacturer of beautiful Mineral Composite vanity tops that stand the test of time.

Duroclass vanity tops will look beautiful now and in years to come. Made in Australia and made to last. Just like a diamond – beautiful, forever.

## Why our customers love Duroclass.

Our customers need reliable service and superior craftsmanship - every time. That's why it's our mission to make it easy, from browsing products to ordering online, and anything in between.



### Australian Made

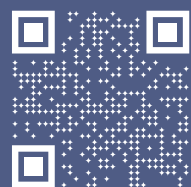
Duroclass products are 100% Australian made. When our customers buy from us they know that they are getting a quality product from a reliable source.



### 10 Year Warranty

With 10 year warranty on all of our products, you can rest easy knowing that you've made the right choice for vanity tops with enduring strength and style.

See terms and conditions.



### Order Online

All of our products can be purchased on the Duroclass website. Just head over to [www.duroclass.com.au](http://www.duroclass.com.au) and log in or register for an account to have all products and pricing right at your fingertips! Scan to see how.

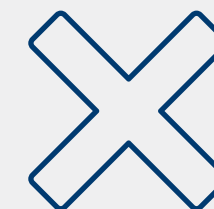
## How do Mineral Composite tops compare?

A comparison between the qualities of Mineral Composite and traditional ceramic.



### Mineral Composite Tops

- ✓ Large range of sizes and styles available
- ✓ Consistent quality and size
- ✓ No warping or imperfections
- ✓ Durable and long lasting
- ✓ Thermal shock resistant
- ✓ Non porous
- ✓ Light scratches can be polished out
- ✓ Sanitary grade and bacteria resistant
- ✓ Can be cut down to fit between walls
- ✓ Easy to keep clean
- ✓ 100% Australian made
- ✓ 10 year warranty



### Ceramic Vanity Tops

- ✗ Chips easily
- ✗ Inconsistent quality, warping and pinholes
- ✗ Limited range of sizing options
- ✗ Scratches or imperfections cannot be repaired
- ✗ Cracks and crazes over time
- ✗ Not recommended for installation between walls
- ✗ Size variations

## This is a long story...

A long story of a family manufacturing business that started way back in 1965.

Back then, Angelo and Joe Mesiti started a company called Manooga that manufactured vanity tops.

Manooga was based in Victoria Road, Gladesville NSW just beside the 'Gladesville Palace Theatre'. For the next 30 years, Angelo and Joe built the business from the ground up, developing some of the same processes that endure today.

While Angelo and Joe slaved away, little did they know their daughter was going to school with a guy named David Page. When they put the business on the market in 1995, imagine the surprise when it was purchased by David and Michael Page who had been school friends with their own children.

David and Michael continued the family business traditions. They fine-tuned

the manufacturing processes and hugely increased the range of formed Mineral Composite vanity top designs. The Page family also added solid surface benchtops to the Manooga product range.

Amongst many other clients, in 2006 they started selling vanity tops to Timberline, a family business founded by the Scott family in Armidale NSW. Timberline is the premier manufacturer of custom-made bathroom vanities in Australia.



Gladesville Palace Theatre

In 2020 David and Michael Page thought the time was right to split the business. They retained the Manooga name and continued manufacturing solid surface benchtops. For the formed Mineral Composite vanity tops they could think of no one better to continue the tradition of family-run manufacturing business than the Scott family.

In late 2020, the manufacturing process that had been making Manooga vanity tops for 55 years was

relocated to Armidale NSW and are now part of the Scott Group of companies. The Manooga name continues to be used by David and Michael Page for their solid surface benchtop products. A new name – Duroclass – has been born to take 55 years of history on a new journey.

As a grand finale to the (long) story, the name Duroclass was chosen as these vanity tops are exceptionally durable and very classy. To accentuate this, a diamond was chosen as the logo emblem. Only after choosing this new logo did the Scott family find out an interesting fact about the name Manooga. It is an Aboriginal word for 'precious stone'. What a perfect link to the diamond chosen to represent the new name Duroclass. A very fitting transition to another chapter of a story that dates all the way back to 1965.



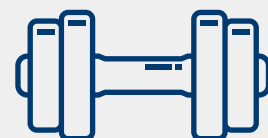
Work gets underway at the new Duroclass factory in Armidale

It is an Aboriginal word for 'precious stone'. What a perfect link to the diamond chosen to represent the new name Duroclass. A very fitting transition to another chapter of a story that dates all the way back to 1965.



## Not just a pretty face.

Our two-part manufacturing technique harnesses the properties of Mineral Composite to produce durable, precision-made vanity tops in a range of stunning shapes and sizes.



### Super Strong

Duroclass tops combine a tough outer shell with Mineral Composite resin core to create a super strong, impact resistant vanity top.

Don't just take our word for it – check out page 6 to see how Mineral Composite compares with ceramic to see who comes out on top!



### Sanitary Grade

Duroclass tops are made from SHINKOLITE™ PX Sanitary Grade sheets and Mineral Composite with natural anti-bacterial properties.

This ensures that Duroclass tops are strong, scratch and stain resistant, easy to clean surfaces - giving harmful bacteria nowhere to hide or grow.



### Precision Made

Precision dies are used to thermoform all our tops to exact measurements before back filling with Mineral Composite.

This two-part manufacturing technique guarantees a perfect fit for your bathroom furniture. Every time.



## Sustainability & the environment.

As a leading regional manufacturer, we have a particular responsibility to the ongoing awareness and care for our natural environment.

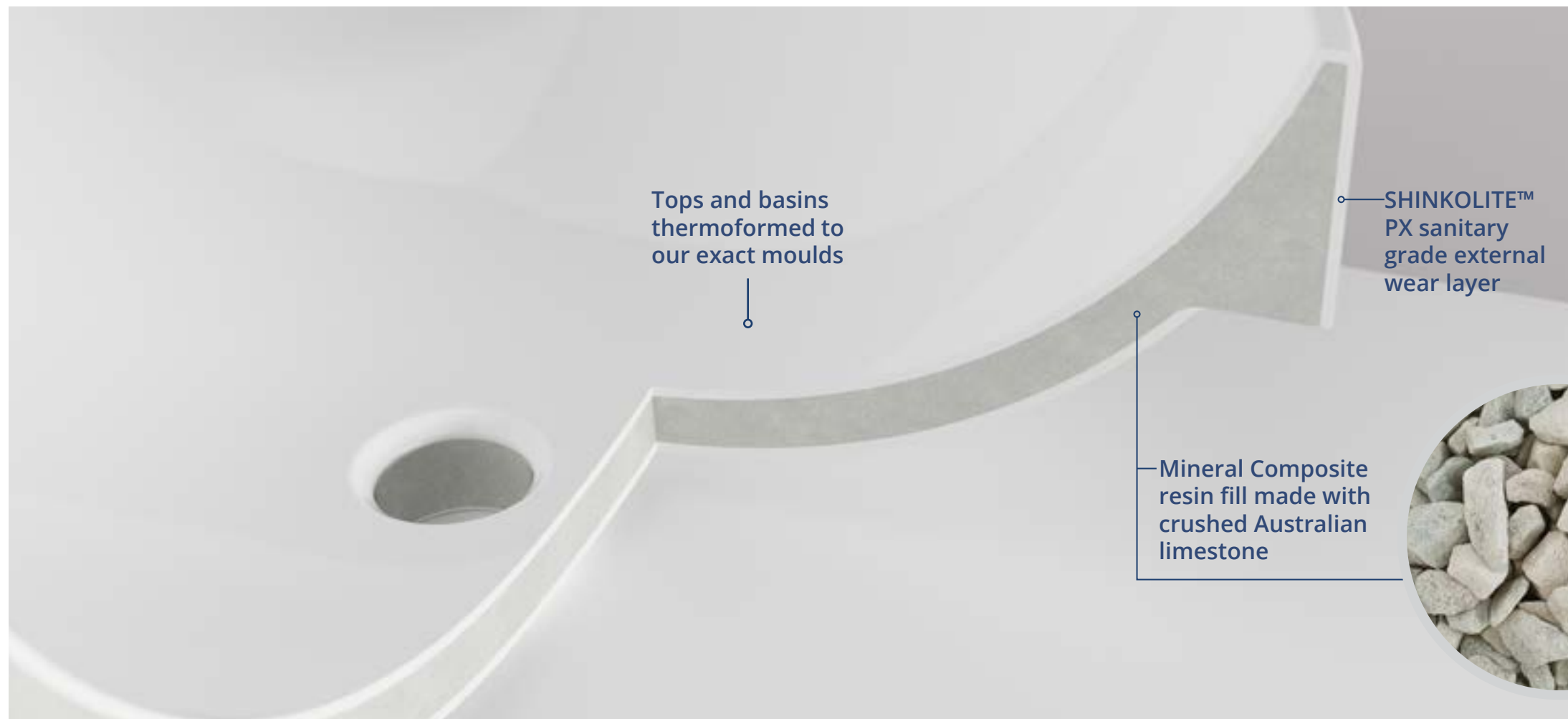
Throughout the continual growth of our company, we strive to improve our facilities and manufacturing practices. Our aim is to create cleaner, safer, and more efficient production with environmental impact at front of mind, as we work to keep CO<sub>2</sub> emissions to a minimum.

Our production process is specifically designed to reduce the consumption of raw materials and minimise waste for each of our products. Our products contain majority-based natural materials including crushed Australian limestone, ensuring that they are durable, easy to repair and recyclable.



## Why Mineral Composite vanity tops?

Duroclass Mineral Composite is made from crushed stone resin and impact resistant sheeting, creating a truly durable and dynamic material.



### We strive to create vanity tops and basins with designers and cabinet makers at front of mind.

Mineral Composite is a hugely dynamic material, making it perfect for use in a wide range of applications. Each of our products are finished with a super-strong glossy outer coating and back-filled with Mineral Composite resin made from crushed Australian limestone, ensuring that our products remain incredibly strong and beautiful for years to come.

Our products are thermoformed to precision dies, which means that other materials, like traditional ceramic, simply don't measure up to the versatility and accuracy of Duroclass formed tops. We've run the tests – check out page 9 to see how they compare in a test of strength.



## Mineral Composite, now with Overflow!

Complete your Duroclass vanity top or basin with a waste and overflow kit.



### Overflow

EOFK41

### Chrome Mushroom Head Pop Up Waste 4in1



USM40A

### Chrome Standard Head Pop Up Waste



SCPW40

### Matt White Pop Up Waste (No Overflow)



PWTMW

### Matt Black Pop Up Waste (No Overflow)



PWTBLACK

## A test of strength...

It wasn't the boredom of long Covid lockdowns that drove us to this point.

In fact, we get a lot of people asking what the difference is between Duroclass Mineral Composite tops and traditional ceramic. So, we thought, why not compare them in a test of strength?

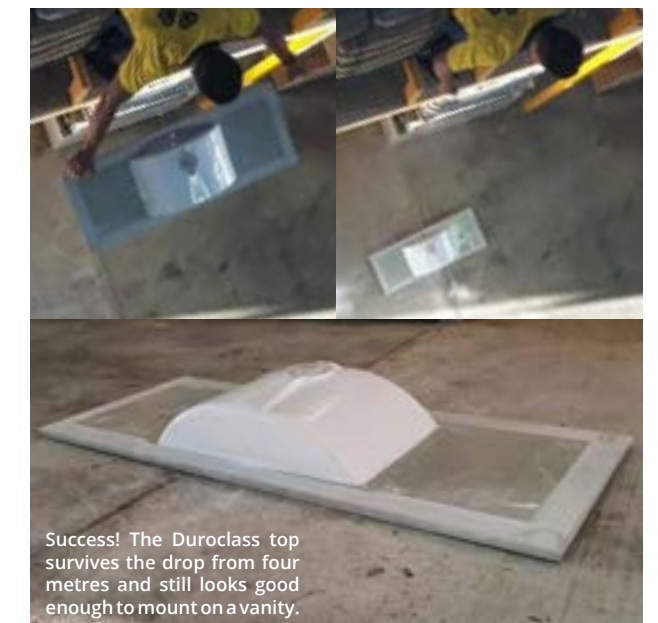
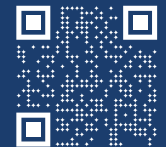
We know that when you drop a ceramic top from any height it smashes to pieces. Duroclass formed tops, however, are tough. We decided to go big and drop one off the factory roof!

It broke. At this point we were willing to concede that was a bit ambitious, so we tried again from inside the factory at a height of four metres.

This time it stayed perfectly intact! And it still looked good enough to mount on a bathroom vanity.

There you have it. Unlike a ceramic top that smashes at the slightest knock, Duroclass tops are beautiful, tough, and made to last.

Don't believe it?  
Scan to watch  
the test in action



# Basins

Coast Oval Inset Basin 495mm

COV495C0 Note: 0 taphole available

Corrida 35mm

COR350C Note: 0 taphole available

Corrida 70mm

COR700C Note: 0 taphole available

Corrida 120mm

COR120C Note: 0 taphole available

Corrida Forward Bowl 430mm

CFB120C Note: 0 taphole available

Cove Ensuite Grand 460mm

CEG460C Note: 1 taphole available

Cove Ensuite Slim 460mm

CES460C Note: 1 taphole available

Cove Ensuite Wall Hung 460mm

CEW460 Note: 1 taphole available  
LH or RH offset.

Cove Forward Bowl 460mm

CFB460C Note: 1, 3, or 0 taphole available

0 Taphole available with overflow - see page 10

Cove Grand 460mm

CGR460C Note: 1, 3, or 0 taphole available

0 Taphole available with overflow - see page 10

Cove Slim 460mm

CSL460C Note: 1, 3, or 0 taphole available

0 Taphole available with overflow - see page 10

Quay 420mm

QUABASC Note: 1, 3, or 0 taphole available

Quay Forward Bowl 420mm

QFBASC Note: 1, 3, or 0 taphole available

Supreme Drop In 520mm

SUPBASC Note: 1, 3, or 0 taphole available

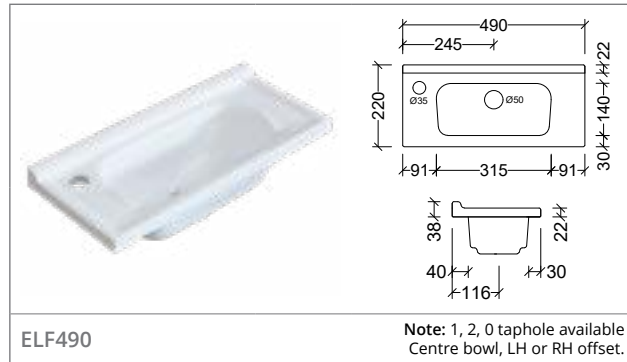
Supreme Forward Bowl 430mm

SFBASC Note: 1, 3, or 0 taphole available



# Elf Ensuite

## Elf Ensuite 490mm



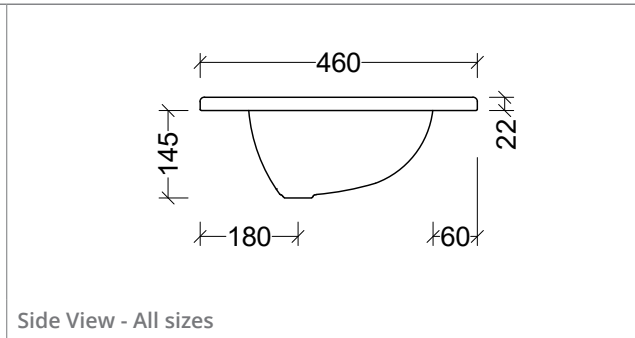
ELF490

Note: 1, 2, 0 taphole available  
Centre bowl, LH or RH offset.

# Elite

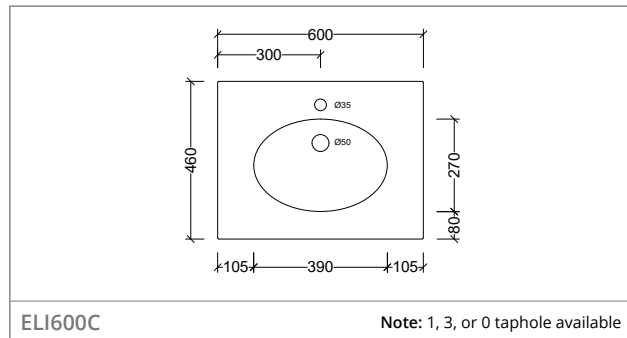


Single Bowl



Side View - All sizes

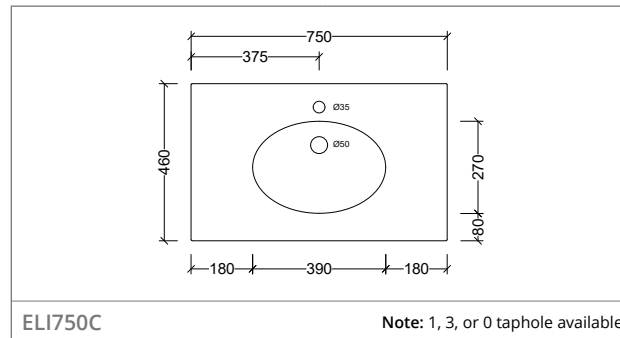
## Elite Single Bowl 600mm



ELI600C

Note: 1, 3, or 0 taphole available

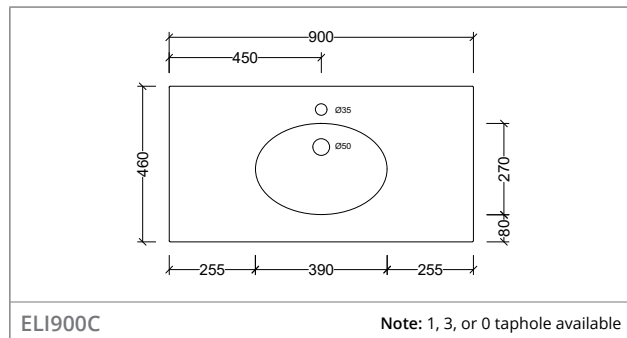
## Elite Single Bowl 750mm



ELI750C

Note: 1, 3, or 0 taphole available

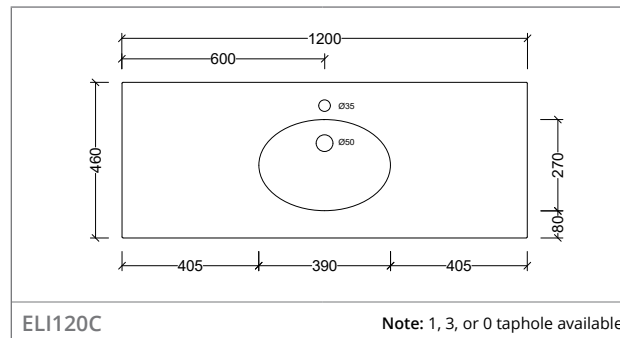
## Elite Single Bowl 900mm



ELI900C

Note: 1, 3, or 0 taphole available

## Elite Single Bowl 1200mm



ELI120C

Note: 1, 3, or 0 taphole available

# Essential



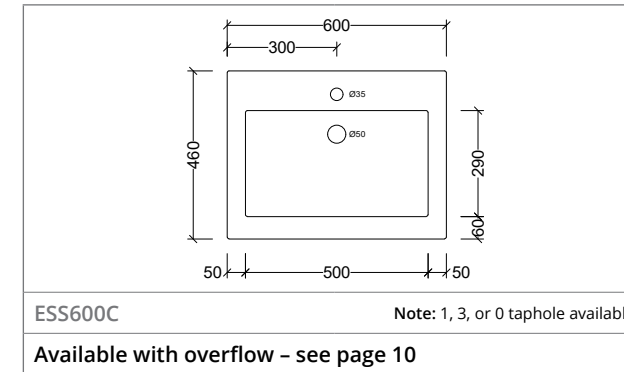
Single Bowl

Offset Bowl

Double Bowl

Side View - All sizes

## Essential Single Bowl 600mm

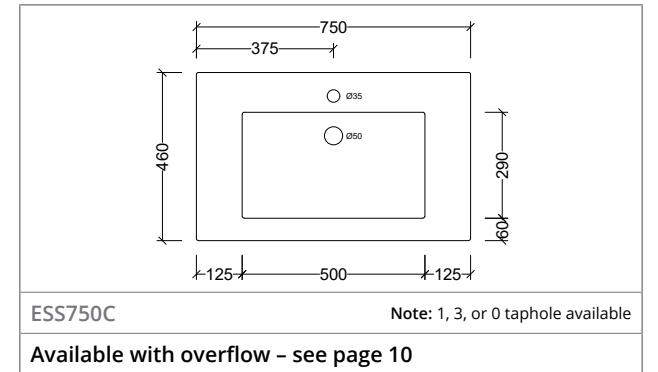


ESS600C

Note: 1, 3, or 0 taphole available

Available with overflow - see page 10

## Essential Single Bowl 750mm

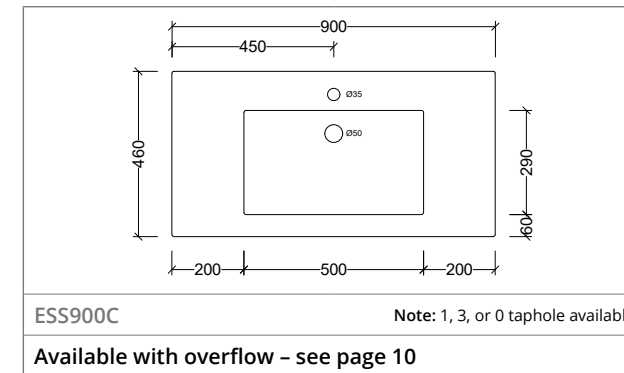


ESS750C

Note: 1, 3, or 0 taphole available

Available with overflow - see page 10

## Essential Single Bowl 900mm

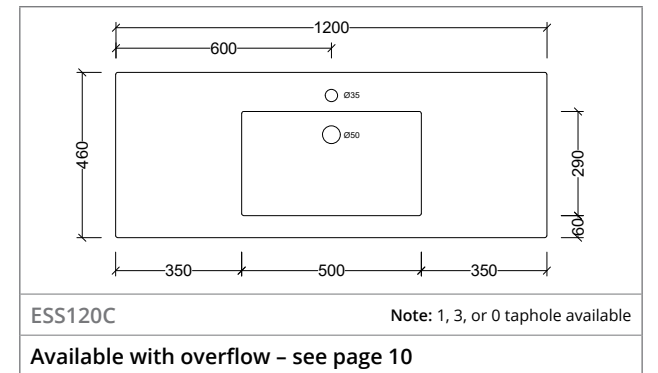


ESS900C

Note: 1, 3, or 0 taphole available

Available with overflow - see page 10

## Essential Single Bowl 1200mm

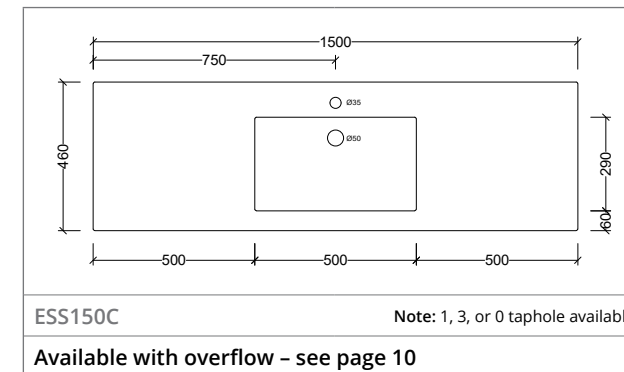


ESS120C

Note: 1, 3, or 0 taphole available

Available with overflow - see page 10

## Essential Single Bowl 1500mm

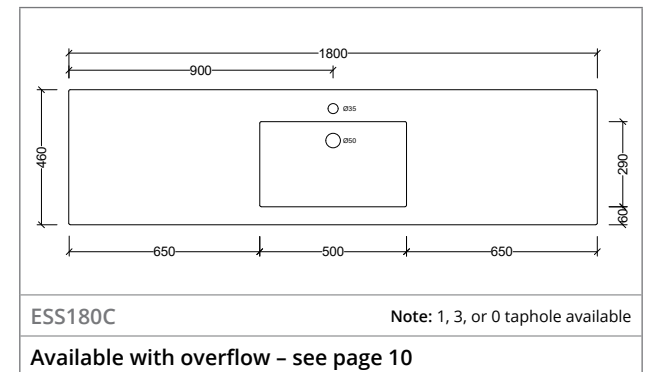


ESS150C

Note: 1, 3, or 0 taphole available

Available with overflow - see page 10

## Essential Single Bowl 1800mm

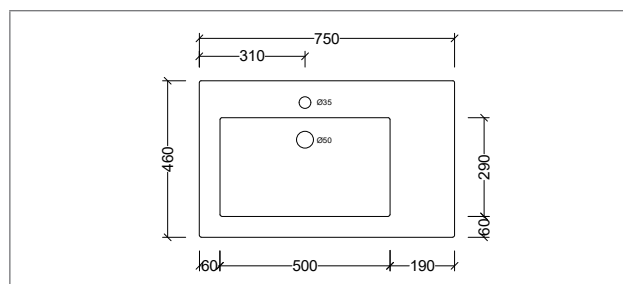


ESS180C

Note: 1, 3, or 0 taphole available

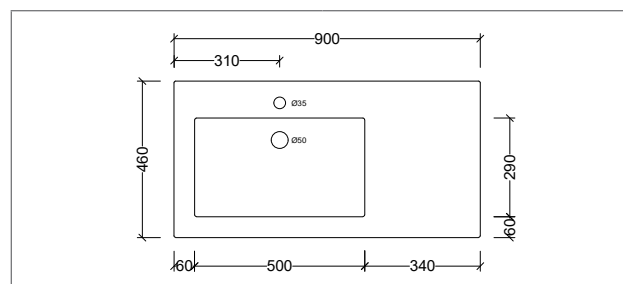
Available with overflow - see page 10

### Essential Offset Bowl 750mm



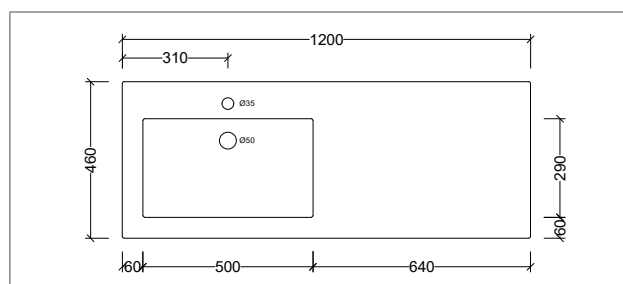
ESS750 Note: 1, 3, or 0 taphole available  
LH or RH offset  
Available with overflow - see page 10

### Essential Offset Bowl 900mm



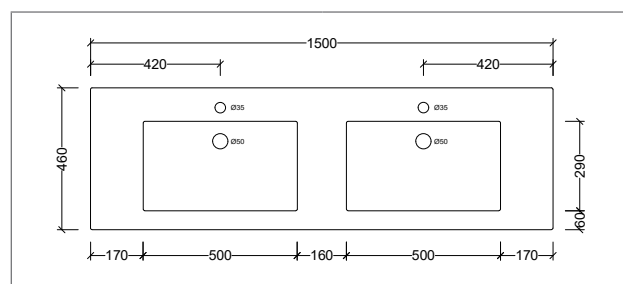
ESS900 Note: 1, 3, or 0 taphole available  
LH or RH offset  
Available with overflow - see page 10

### Essential Offset Bowl 1200mm



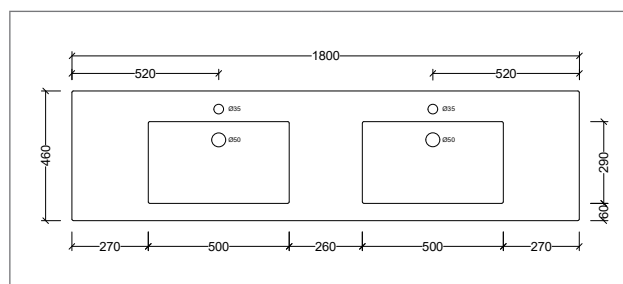
ESS120 Note: 1, 3, or 0 taphole available  
LH or RH offset  
Available with overflow - see page 10

### Essential Double Bowl 1500mm



ESS150D Note: 1, 3, or 0 taphole available  
LH or RH offset  
Available with overflow - see page 10

### Essential Double Bowl 1800mm

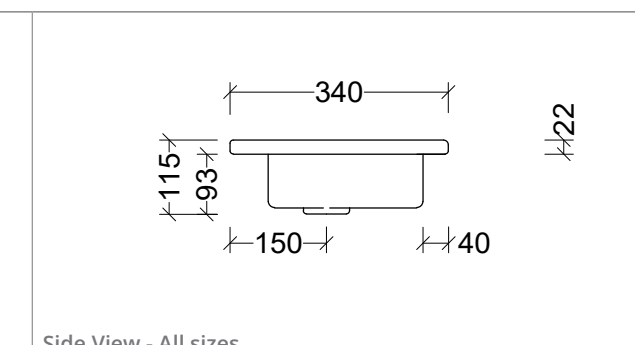


ESS180D Note: 1, 3, or 0 taphole available  
LH or RH offset  
Available with overflow - see page 10

# Monaco Ensuite

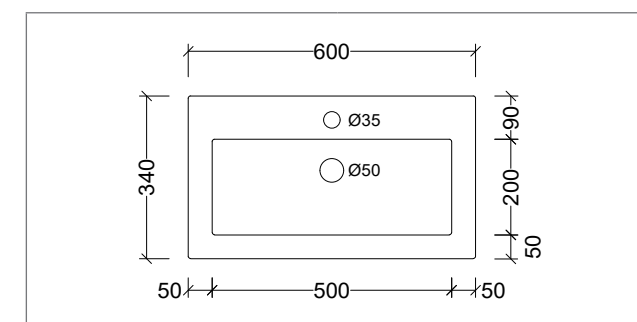


Single Bowl



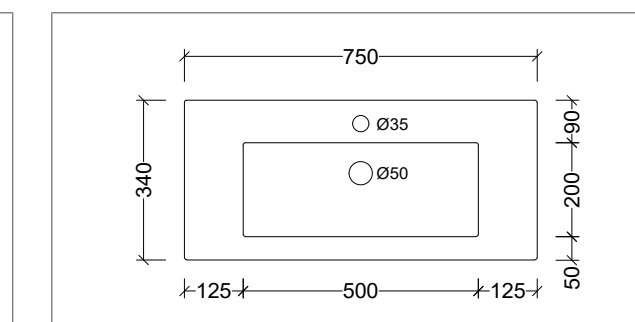
Side View - All sizes

### Monaco Ensuite 600mm



MEN600C Note: 1, 3, or 0 taphole available  
Available with overflow - see page 10

### Monaco Ensuite 750mm

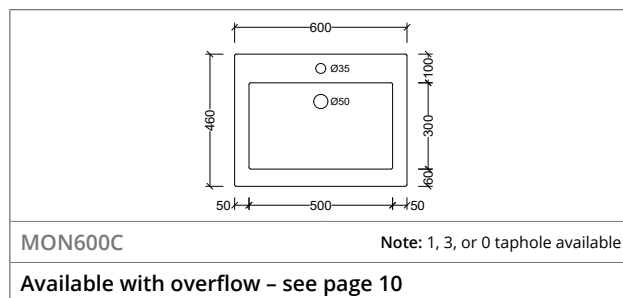


MEN750C Note: 1, 3, or 0 taphole available  
Available with overflow - see page 10

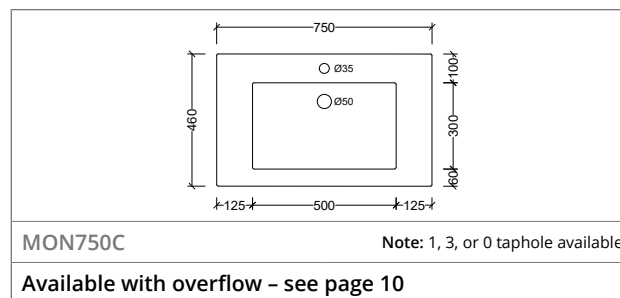
# Monaco



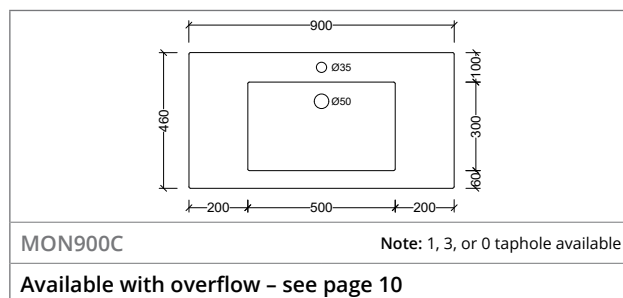
## Monaco Single Bowl 600mm



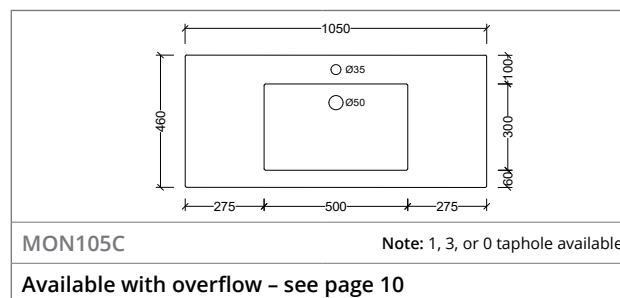
## Monaco Single Bowl 750mm



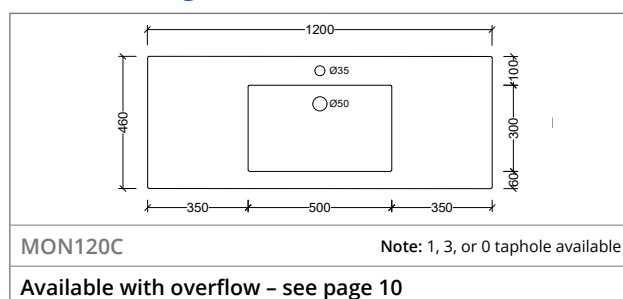
## Monaco Single Bowl 900mm



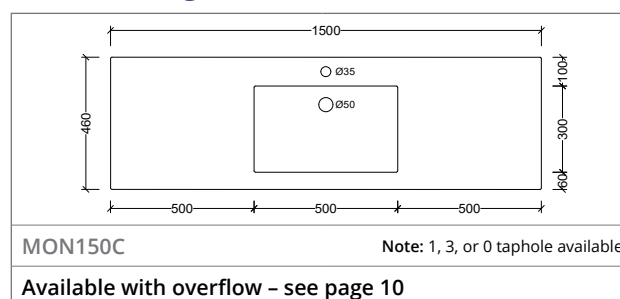
## Monaco Single Bowl 1050mm



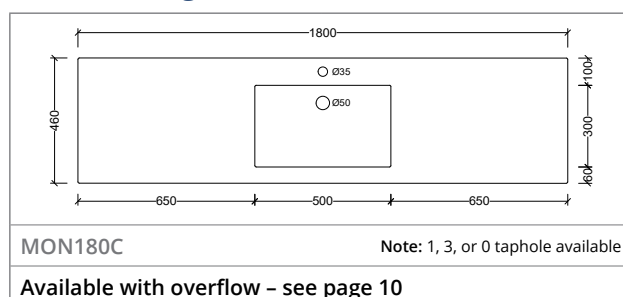
## Monaco Single Bowl 1200mm



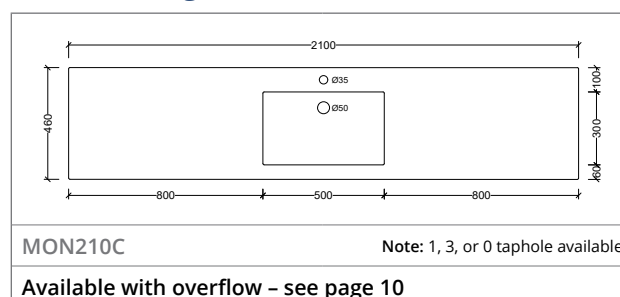
## Monaco Single Bowl 1500mm



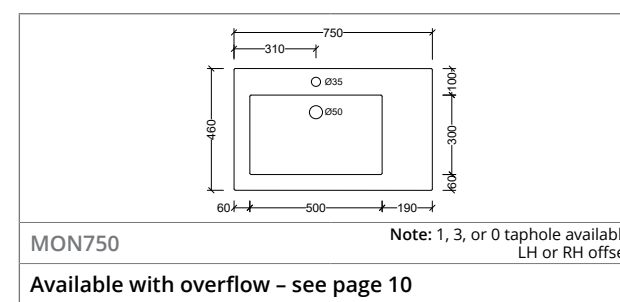
## Monaco Single Bowl 1800mm



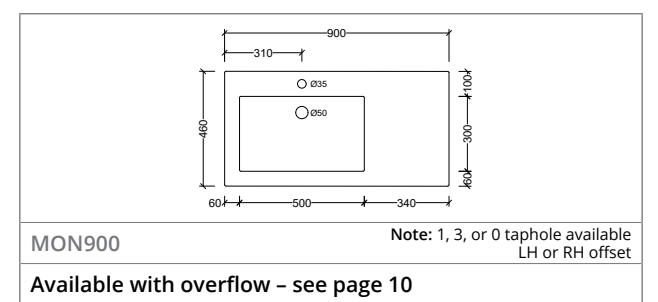
## Monaco Single Bowl 2100mm



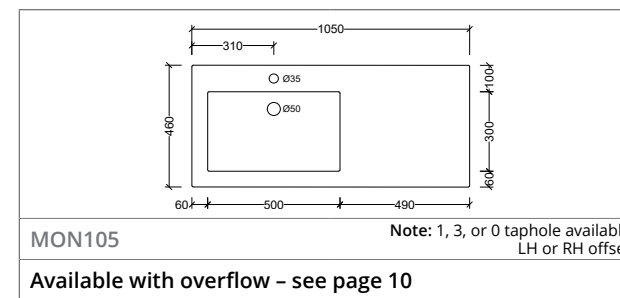
## Monaco Offset Bowl 750mm



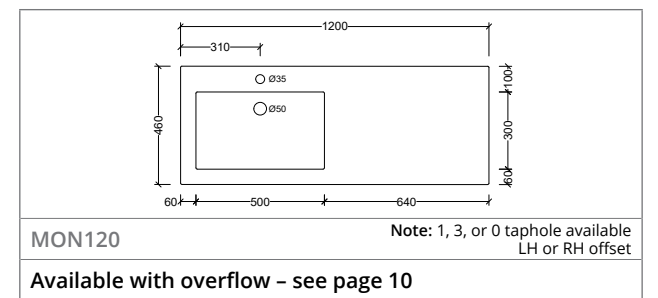
## Monaco Offset Bowl 900mm



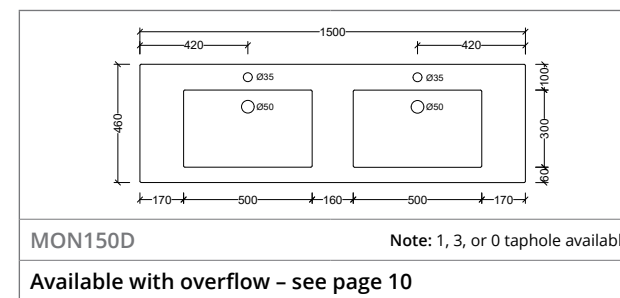
## Monaco Offset Bowl 1050mm



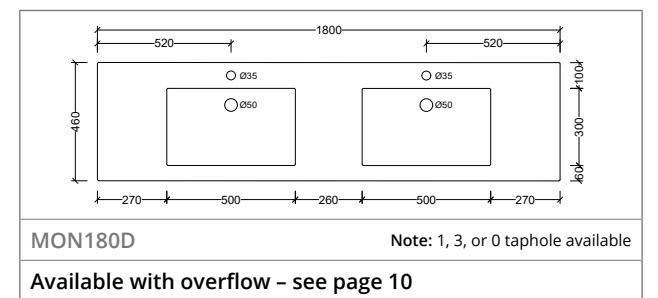
## Monaco Offset Bowl 1200mm



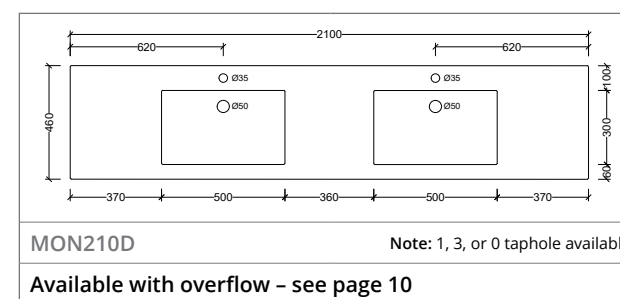
## Monaco Double Bowl 1500mm



## Monaco Double Bowl 1800mm



## Monaco Double Bowl 2100mm

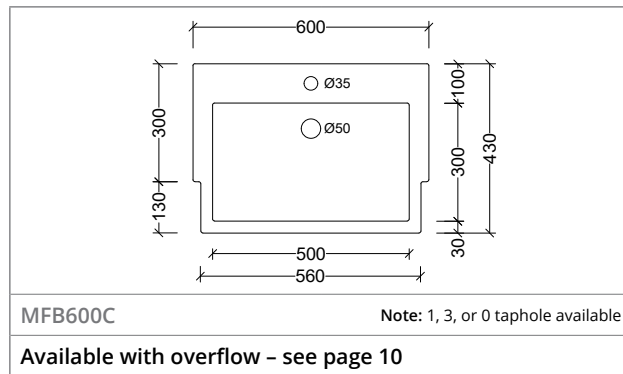




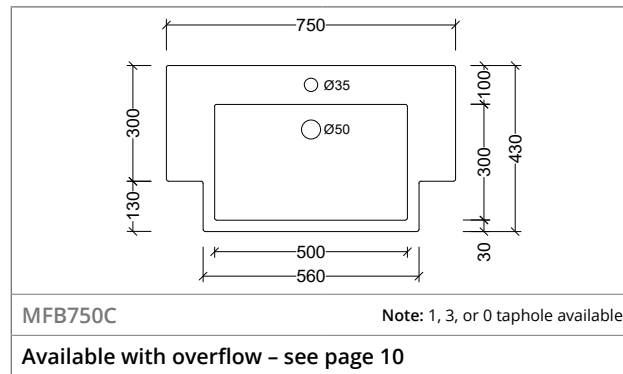
# Monaco Forward Bowl



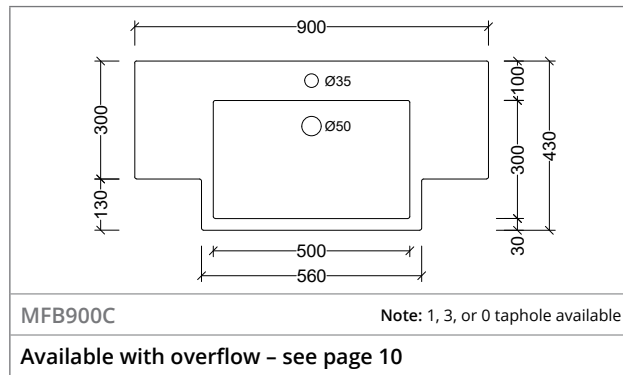
## Monaco Forward Bowl Single 600mm



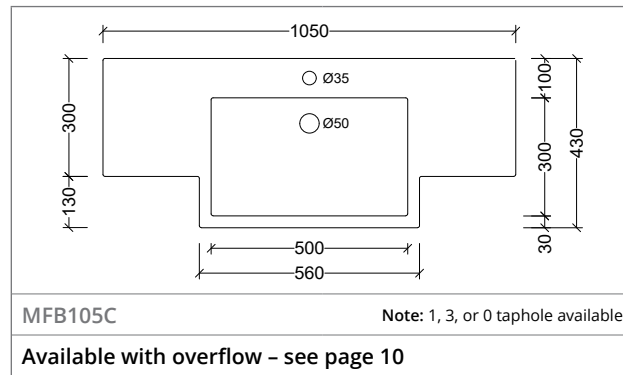
## Monaco Forward Bowl Single 750mm



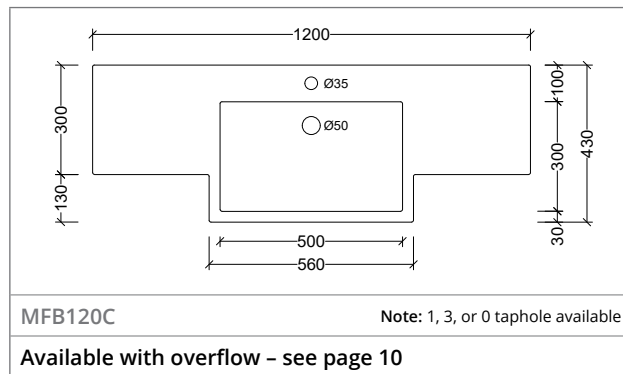
## Monaco Forward Bowl Single 900mm



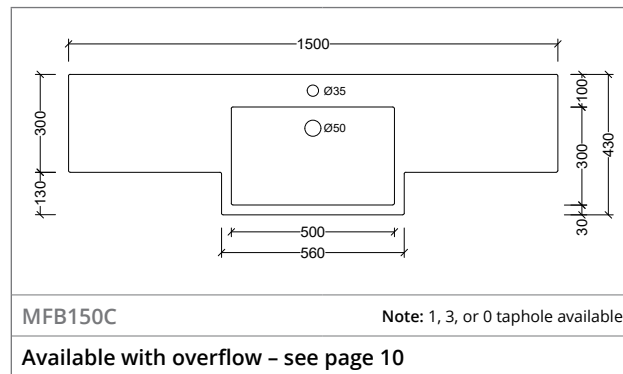
## Monaco Forward Bowl Single 1050mm



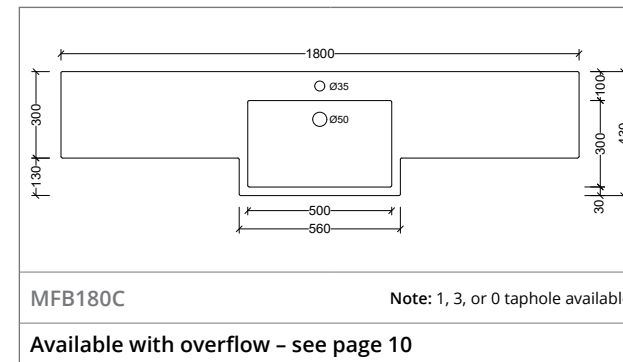
## Monaco Forward Bowl Single 1200mm



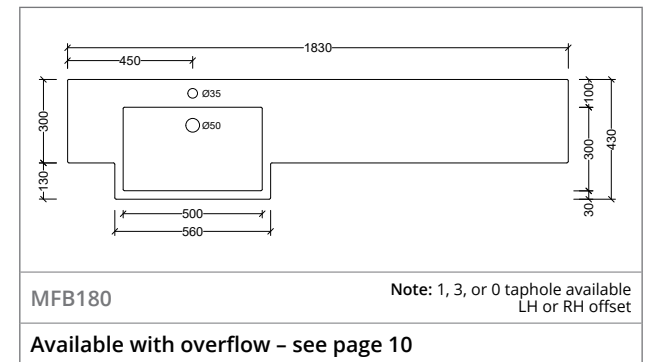
## Monaco Forward Bowl Single 1500mm



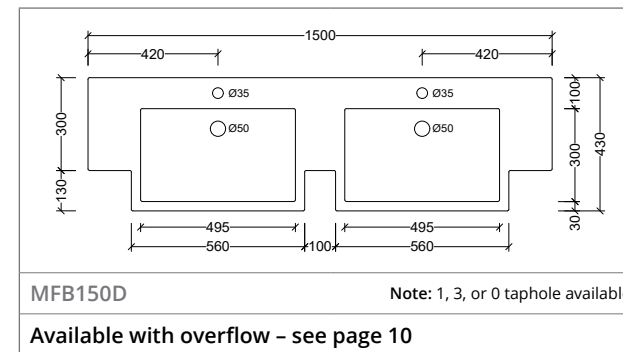
## Monaco Forward Bowl Single 1800mm



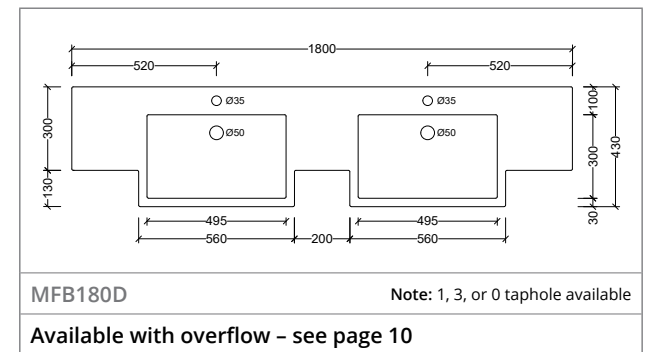
## Monaco Forward Offset Bowl 1830mm



## Monaco Forward Bowl Double 1500mm



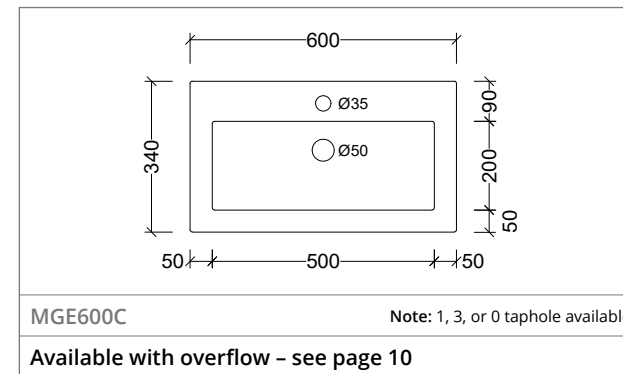
## Monaco Forward Bowl Double 1800mm



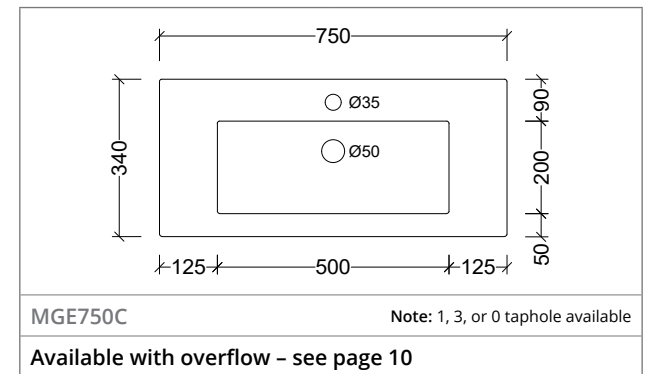
# Monaco Grand Ensuite



## Monaco Grand Ensuite 600mm



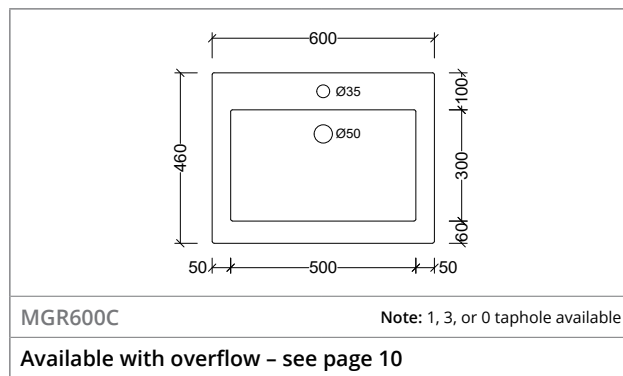
## Monaco Grand Ensuite 750mm



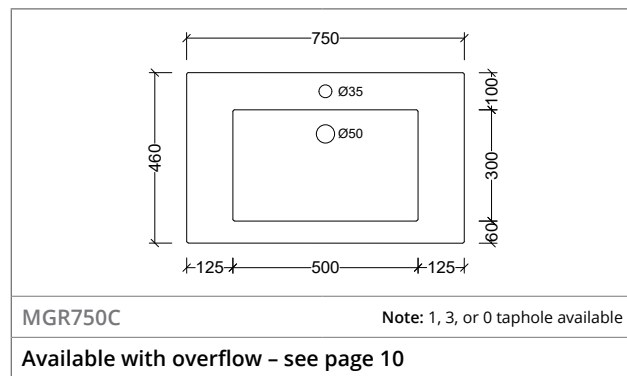
# Monaco Grand



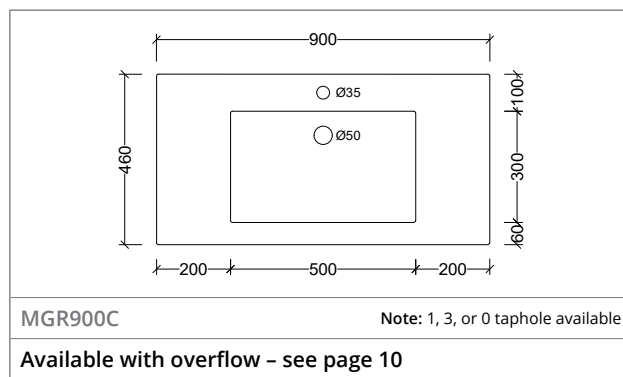
## Monaco Grand Single Bowl 600mm



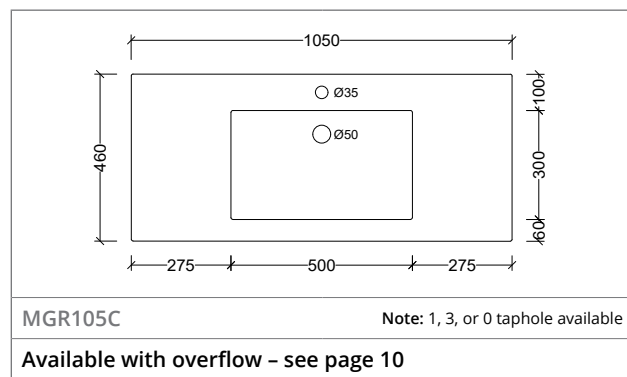
## Monaco Grand Single Bowl 750mm



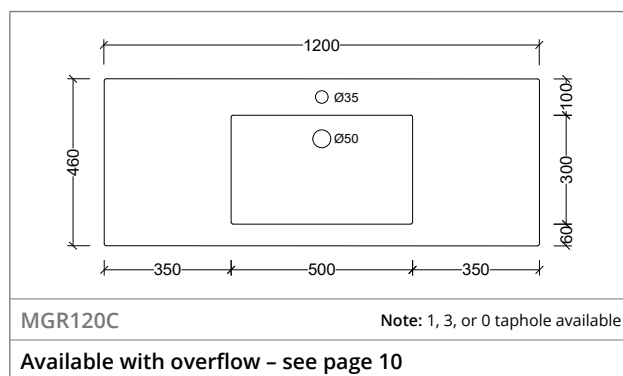
## Monaco Grand Single Bowl 900mm



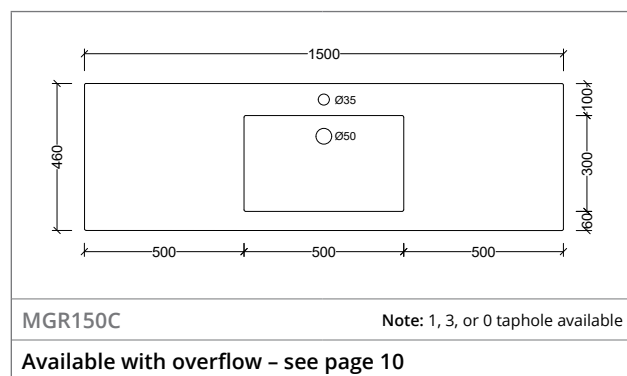
## Monaco Grand Single Bowl 1050mm



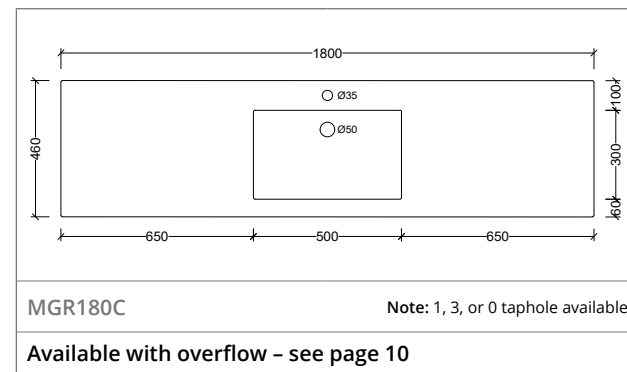
## Monaco Grand Single Bowl 1200mm



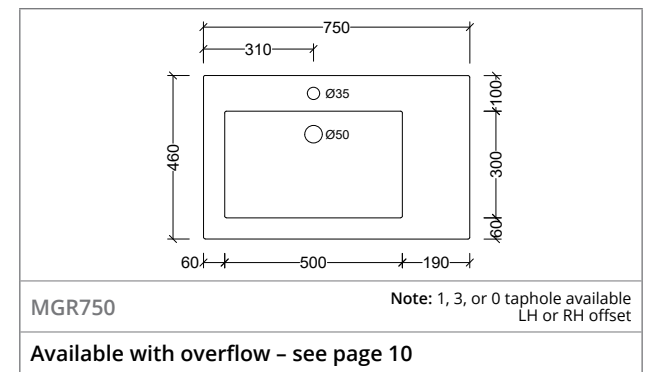
## Monaco Grand Single Bowl 1500mm



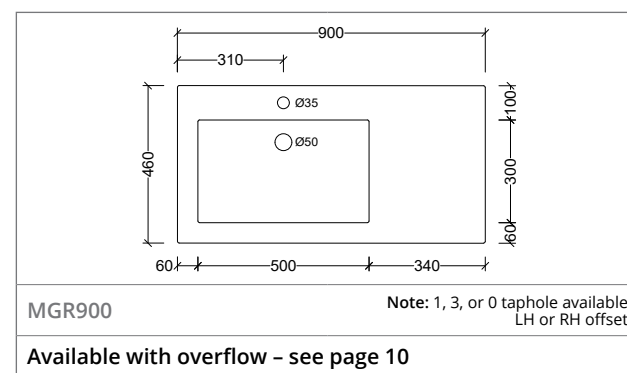
## Monaco Grand Single Bowl 1800mm



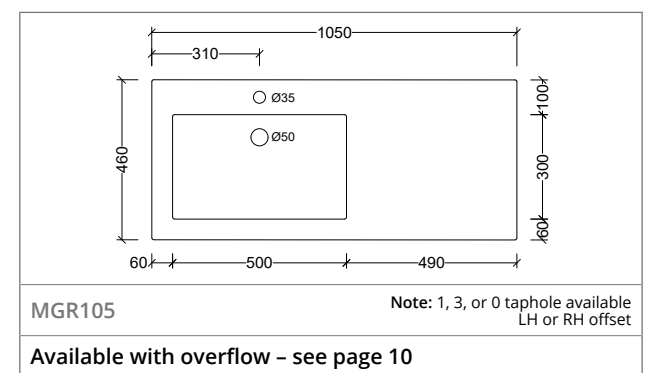
## Monaco Grand Offset 750mm



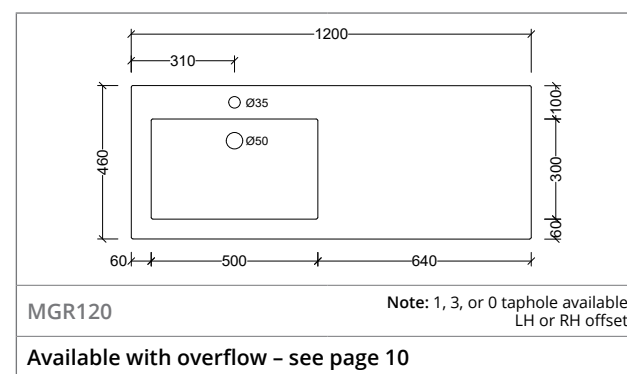
## Monaco Grand Offset 900mm



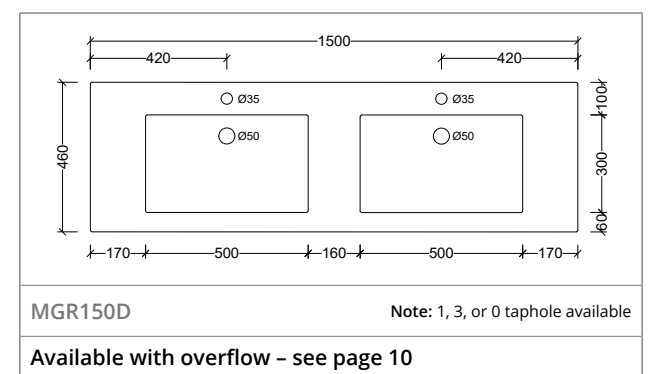
## Monaco Grand Offset 1050mm



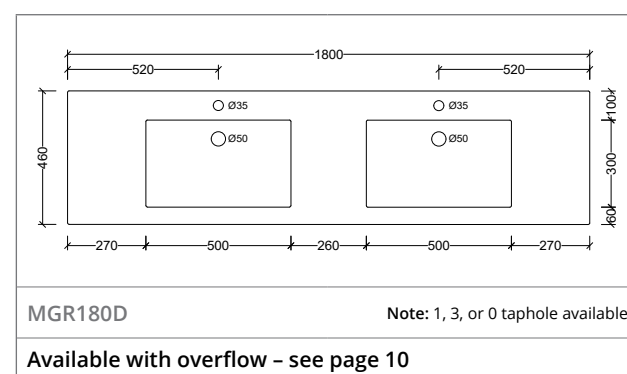
## Monaco Grand Offset 1200mm



## Monaco Grand Double Bowl 1500mm



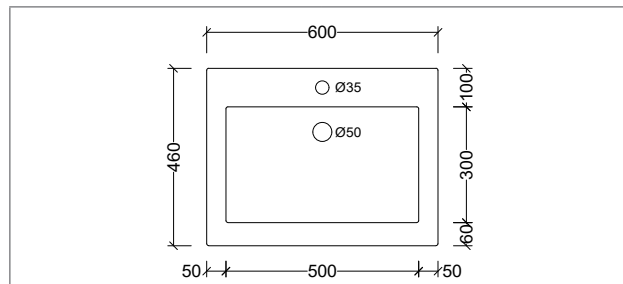
## Monaco Grand Double Bowl 1800mm



# Monaco Major

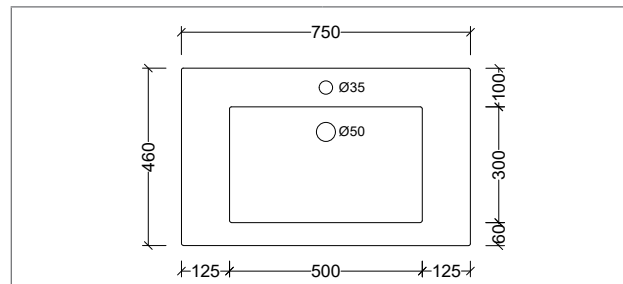


## Monaco Major Single Bowl 600mm



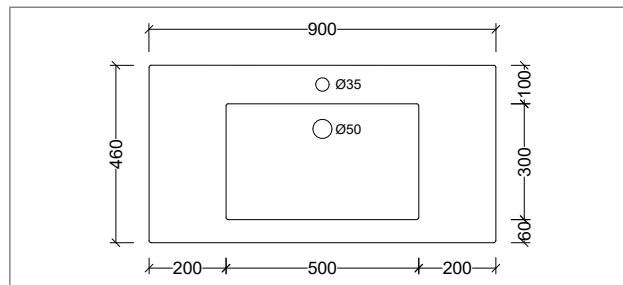
MMA600C Note: 1, 3, or 0 taphole available  
Available with overflow - see page 10

## Monaco Major Single Bowl 750mm



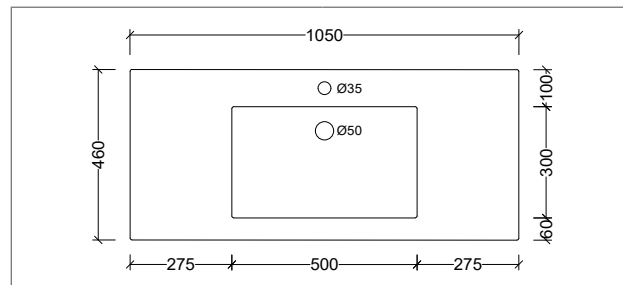
MMA750C Note: 1, 3, or 0 taphole available  
Available with overflow - see page 10

## Monaco Major Single Bowl 900mm



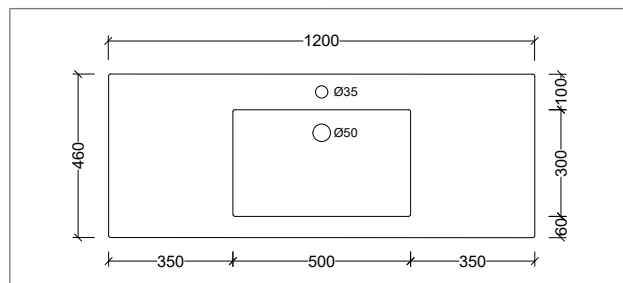
MMA900C Note: 1, 3, or 0 taphole available  
Available with overflow - see page 10

## Monaco Major Single Bowl 1050mm



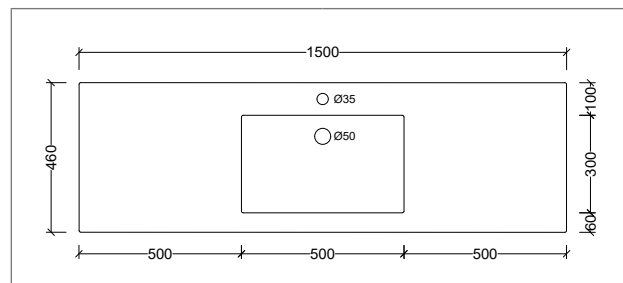
MMA105C Note: 1, 3, or 0 taphole available  
Available with overflow - see page 10

## Monaco Major Single Bowl 1200mm



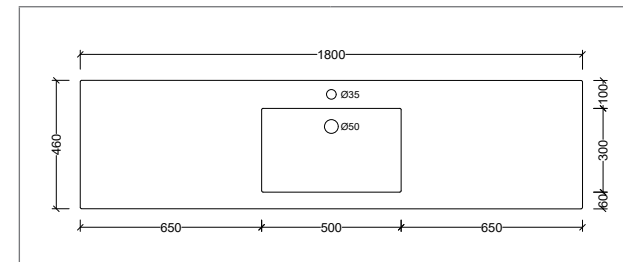
MMA120C Note: 1, 3, or 0 taphole available  
Available with overflow - see page 10

## Monaco Major Single Bowl 1500mm



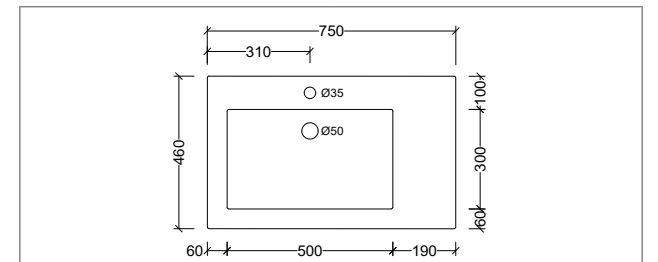
MMA150C Note: 1, 3, or 0 taphole available  
Available with overflow - see page 10

## Monaco Major Single Bowl 1800mm



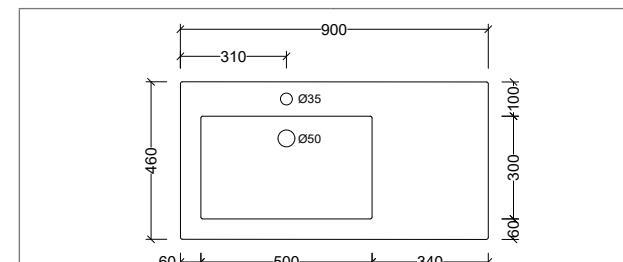
MMA180C Note: 1, 3, or 0 taphole available  
Available with overflow - see page 10

## Monaco Major Offset Bowl 750mm



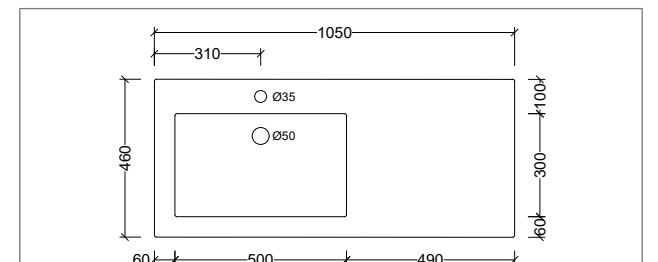
MMA750 Note: 1, 3, or 0 taphole available. LH or RH offset.  
Available with overflow - see page 10

## Monaco Major Offset Bowl 900mm



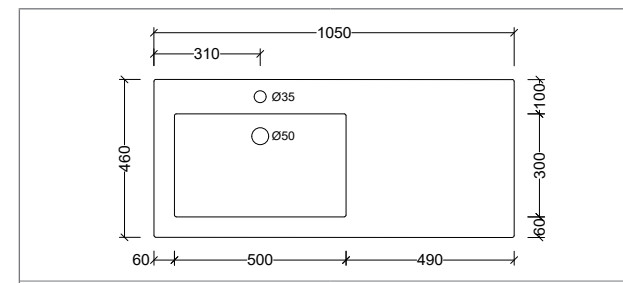
MMA900 Note: 1, 3, or 0 taphole available. LH or RH offset.  
Available with overflow - see page 10

## Monaco Major Offset Bowl 1050mm



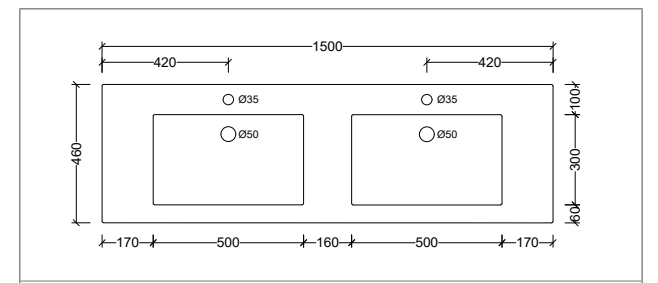
MMA105 Note: 1, 3, or 0 taphole available. LH or RH offset.  
Available with overflow - see page 10

## Monaco Major Offset Bowl 1200mm



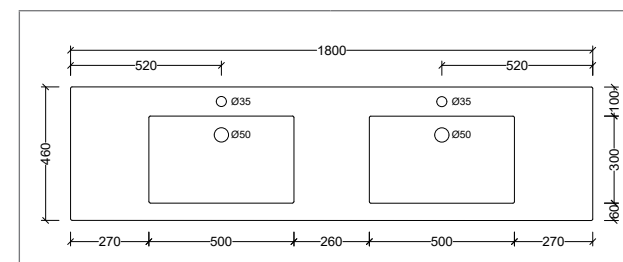
MMA120 Note: 1, 3, or 0 taphole available. LH or RH offset.  
Available with overflow - see page 10

## Monaco Major Double Bowl 1500mm



MMA150D Note: 1, 3, or 0 taphole available  
Available with overflow - see page 10

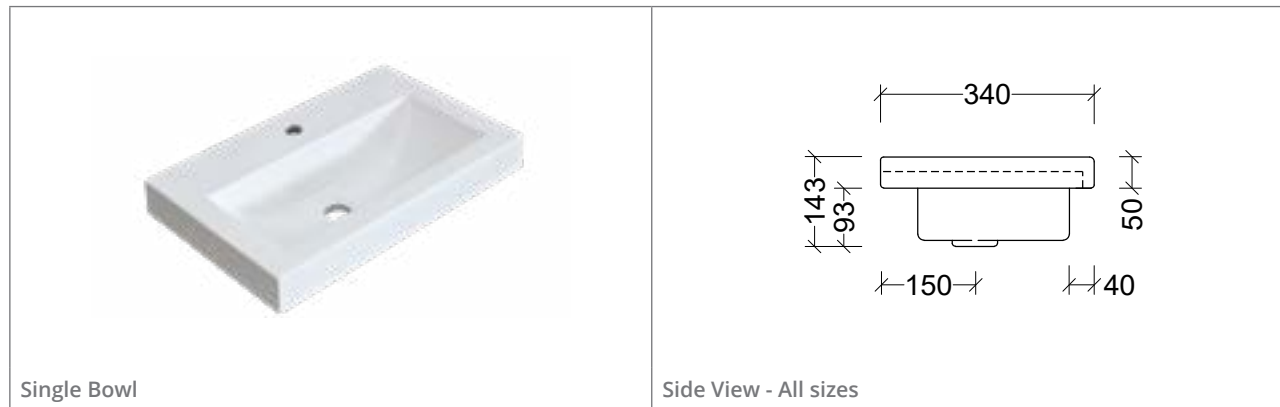
## Monaco Major Double Bowl 1800mm



MMA180D Note: 1, 3, or 0 taphole available  
Available with overflow - see page 10



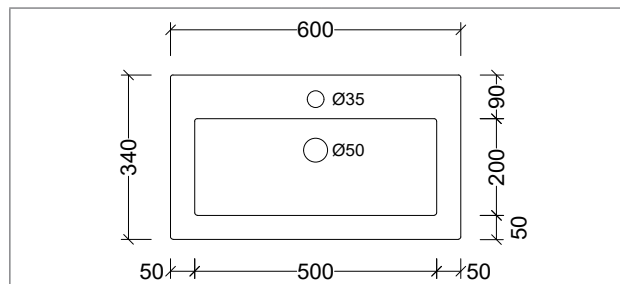
# Monaco Major Ensuite



Single Bowl

Side View - All sizes

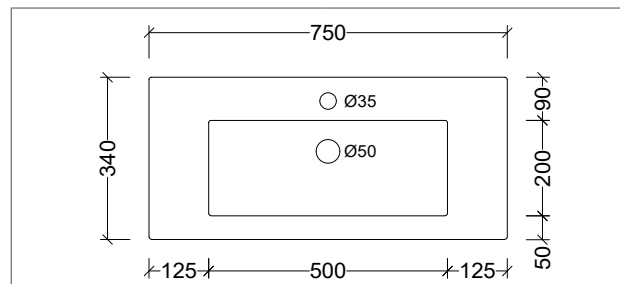
## Monaco Major Ensuite 600mm



MME600C Note: 1, 3, or 0 taphole available

Available with overflow - see page 10

## Monaco Major Ensuite 750mm



MME750C Note: 1, 3, or 0 taphole available

Available with overflow - see page 10

# Olympic Stadium

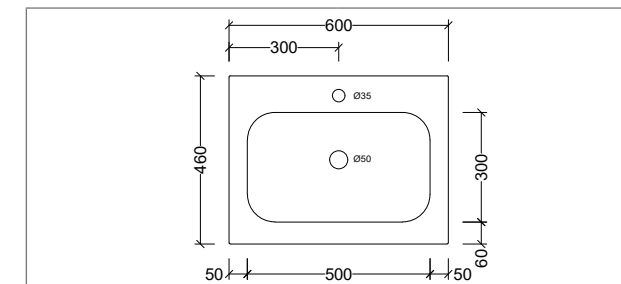


Single Bowl

Double Bowl

Side View - All sizes

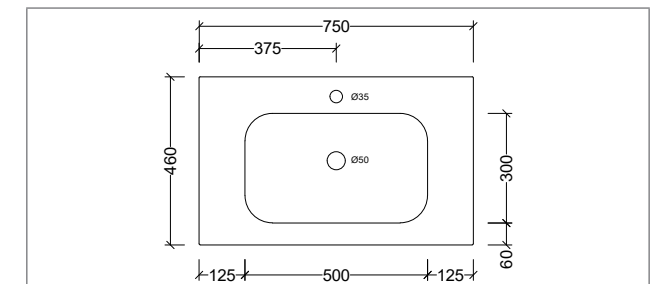
## Olympic Stadium Single 600mm



OST600C Note: 1, 3, or 0 taphole available

Available with overflow - see page 10

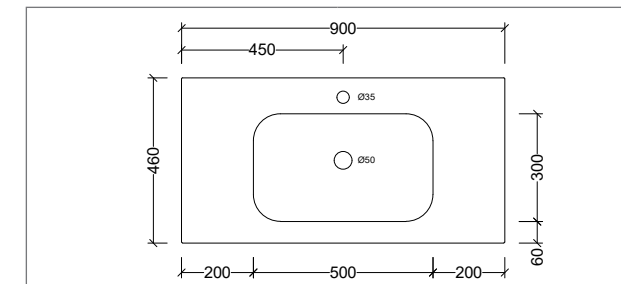
## Olympic Stadium Single 750mm



OST750C Note: 1, 3, or 0 taphole available

Available with overflow - see page 10

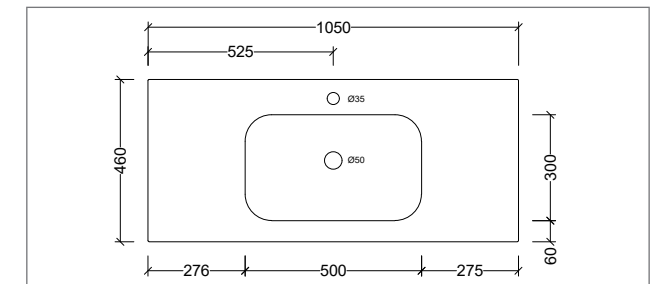
## Olympic Stadium Single 900mm



OST900C Note: 1, 3, or 0 taphole available

Available with overflow - see page 10

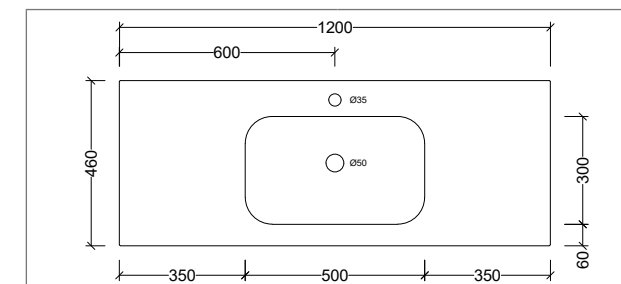
## Olympic Stadium Single 1050mm



OST105C Note: 1, 3, or 0 taphole available

Available with overflow - see page 10

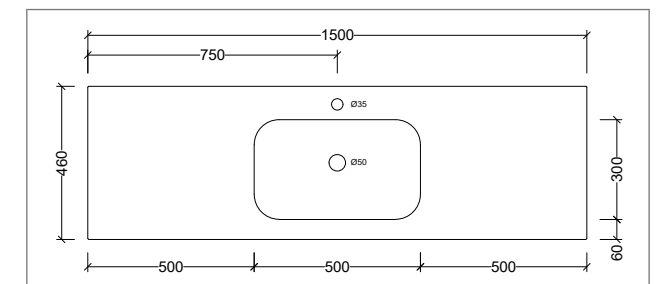
## Olympic Stadium Single 1200mm



OST120C Note: 1, 3, or 0 taphole available

Available with overflow - see page 10

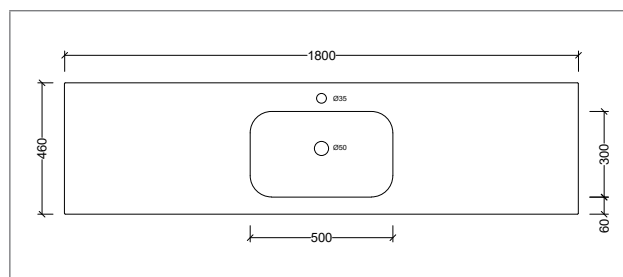
## Olympic Stadium Single 1500mm



OST150C Note: 1, 3, or 0 taphole available

Available with overflow - see page 10

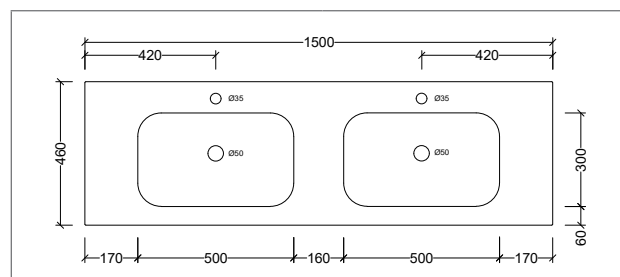
### Olympic Stadium Single 1800mm



OST180C Note: 1, 3, or 0 taphole available

Available with overflow - see page 10

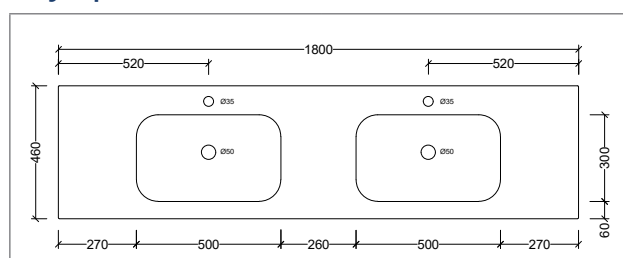
### Olympic Stadium Double 1500mm



OST150D Note: 1, 3, or 0 taphole available

Available with overflow - see page 10

### Olympic Stadium Double 1800mm



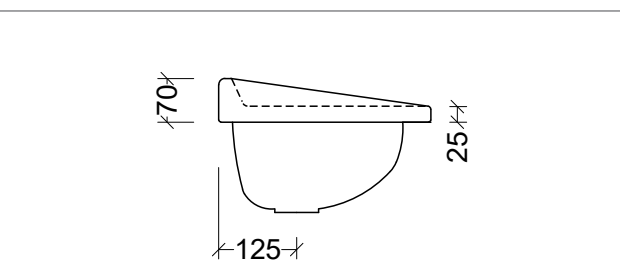
OST180D Note: 1, 3, or 0 taphole available

Available with overflow - see page 10

## Prince

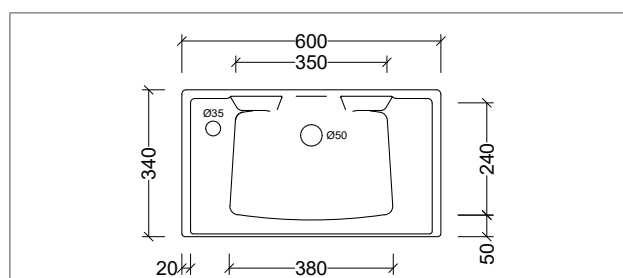


Single Bowl



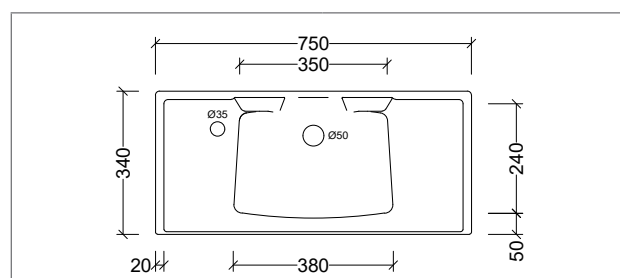
Side View - All sizes

### Prince 600mm



PRI600C Note: 1, 2 or 0 taphole available  
LH or RH offset

### Prince 750mm

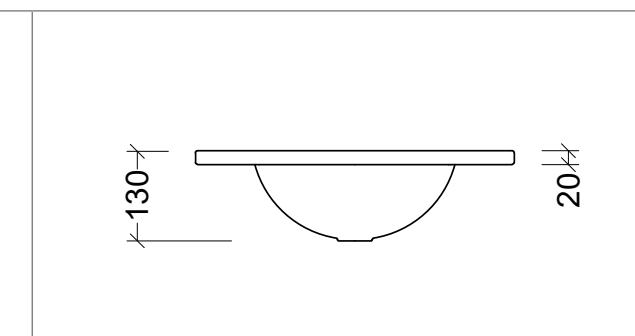


PRI750C Note: 1, 2 or 0 taphole available  
LH or RH offset

## Sanctuary

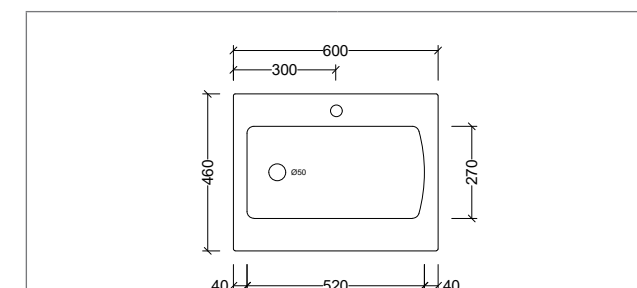


Single Bowl



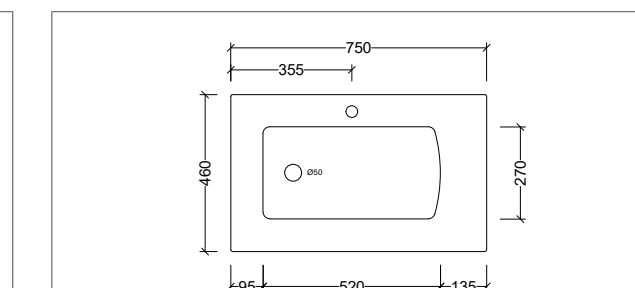
Side View - All sizes

### Sanctuary 600mm



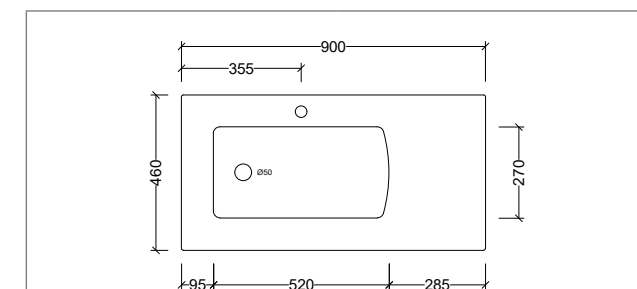
SAN600 Note: 1, 3, or 0 taphole available  
LH or RH offset

### Sanctuary 750mm



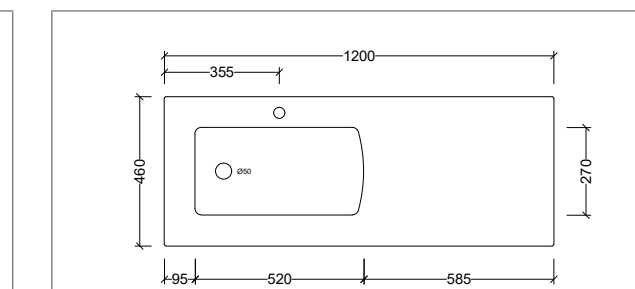
SAN750 Note: 1, 3, or 0 taphole available  
LH or RH offset

### Sanctuary 900mm



SAN900 Note: 1, 3, or 0 taphole available  
LH or RH offset

### Sanctuary 1200mm

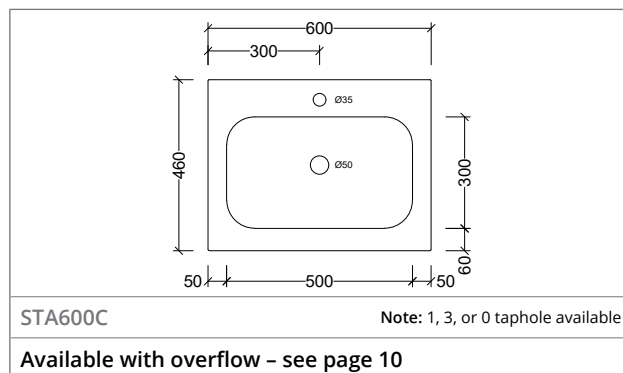


SAN120 Note: 1, 3, or 0 taphole available  
LH or RH offset

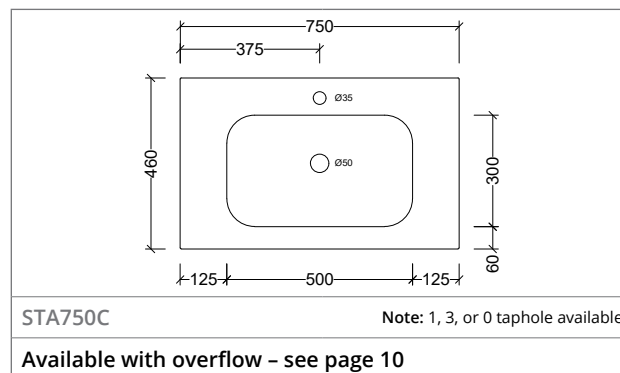
# Stadium



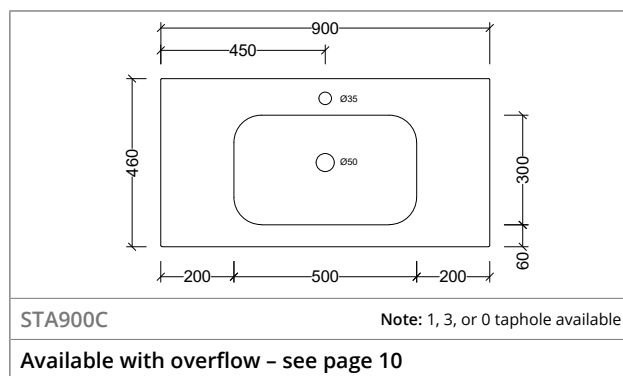
## Stadium Single Bowl 600mm



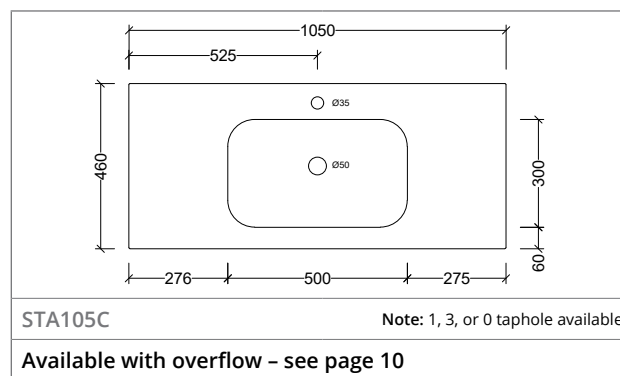
## Stadium Single Bowl 750mm



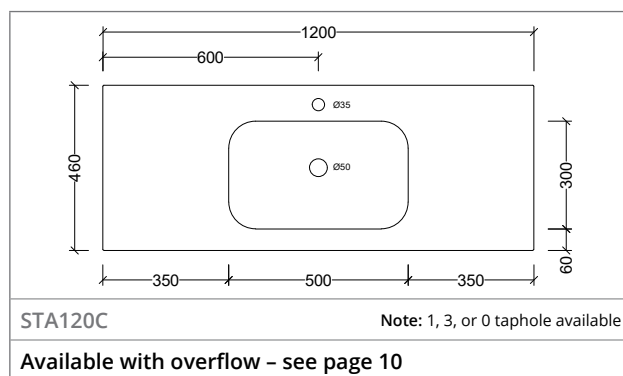
## Stadium Single Bowl 900mm



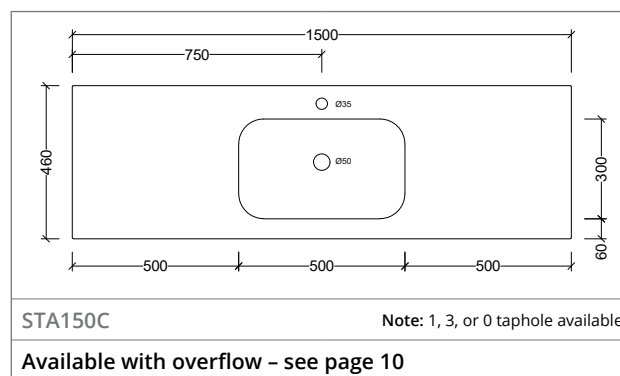
## Stadium Single Bowl 1050mm



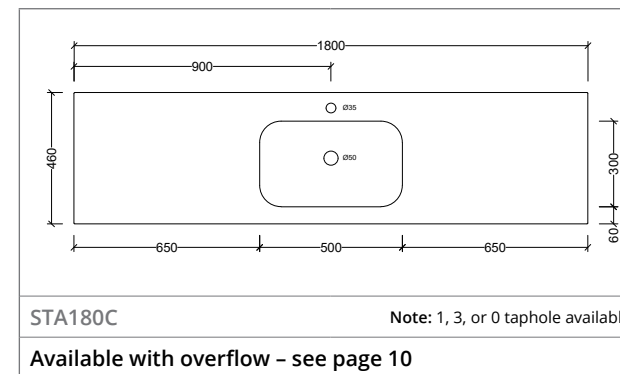
## Stadium Single Bowl 1200mm



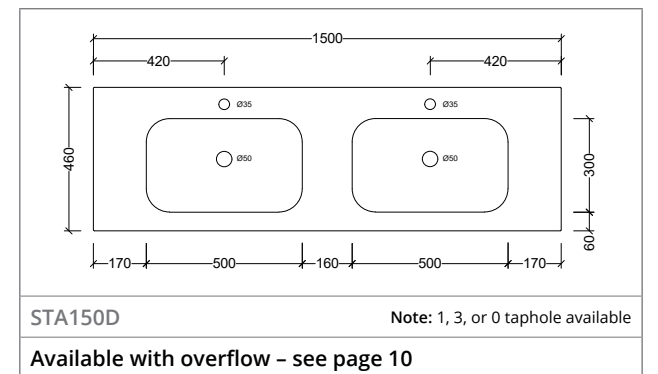
## Stadium Single Bowl 1500mm



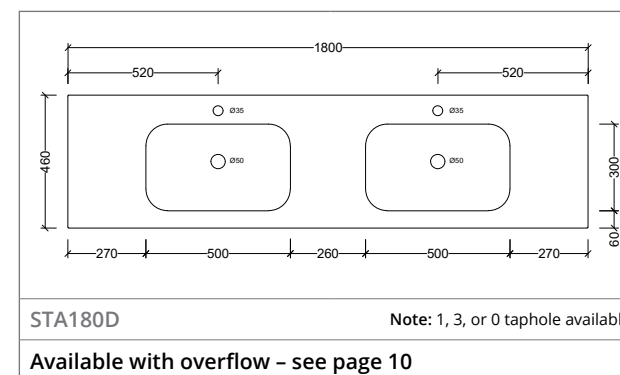
## Stadium Single Bowl 1800mm



## Stadium Double Bowl 1500mm

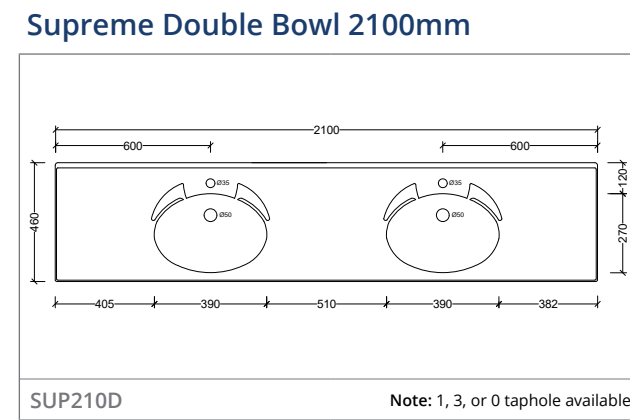
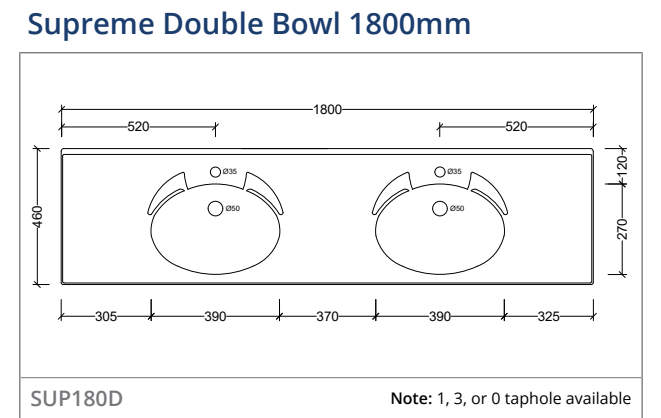
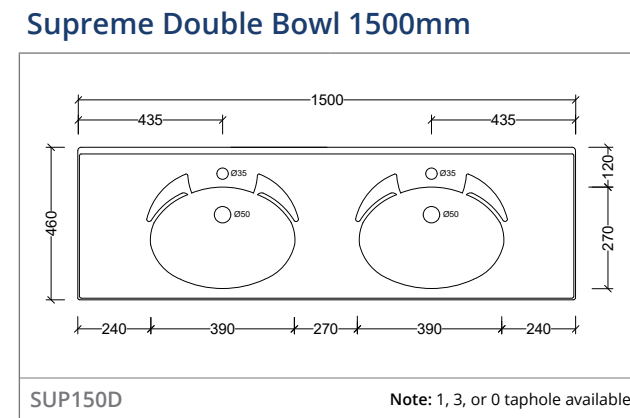
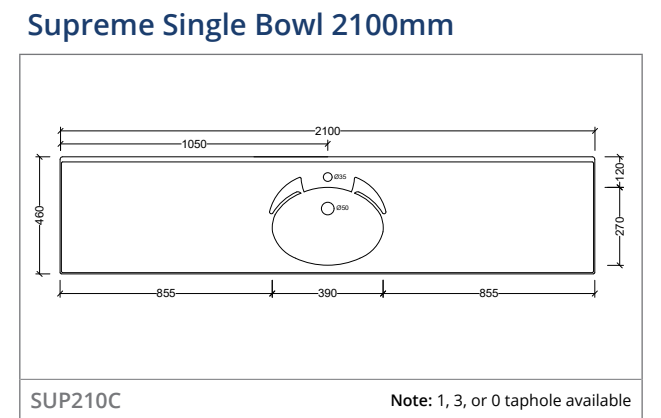
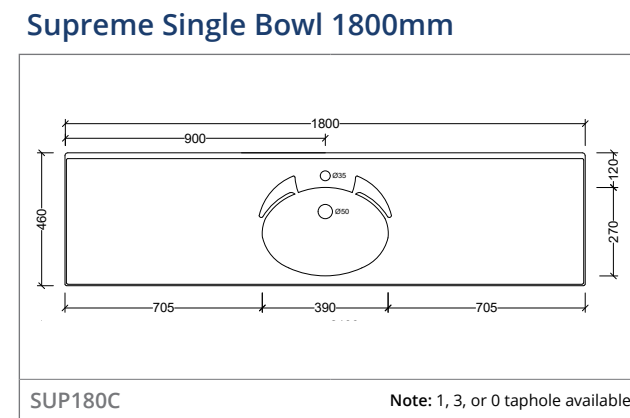
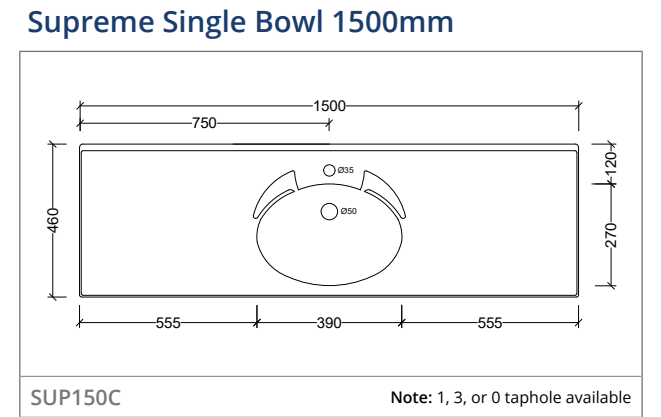
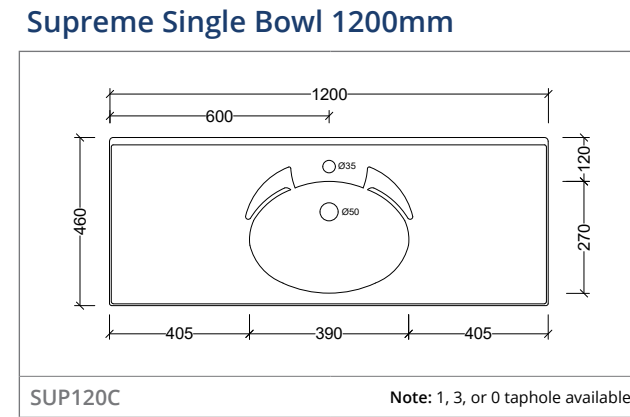
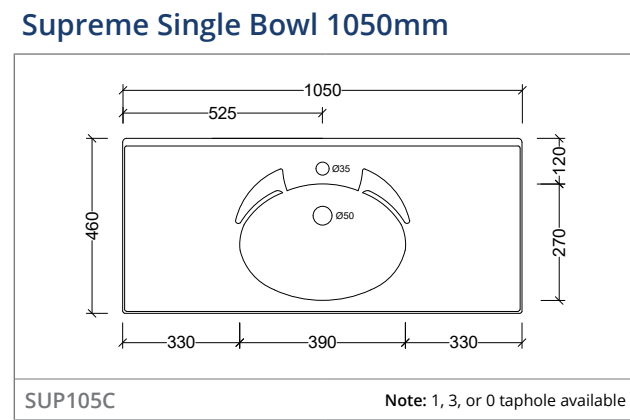
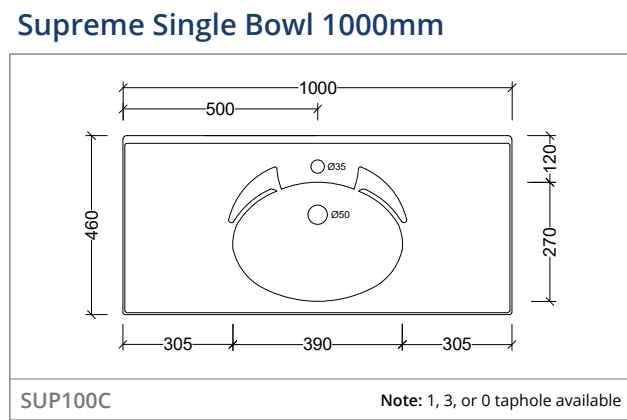
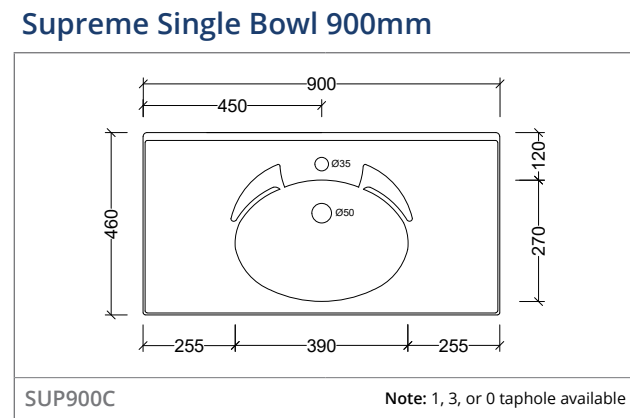
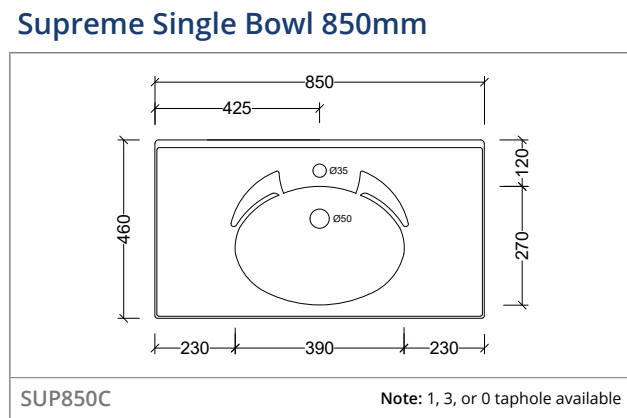
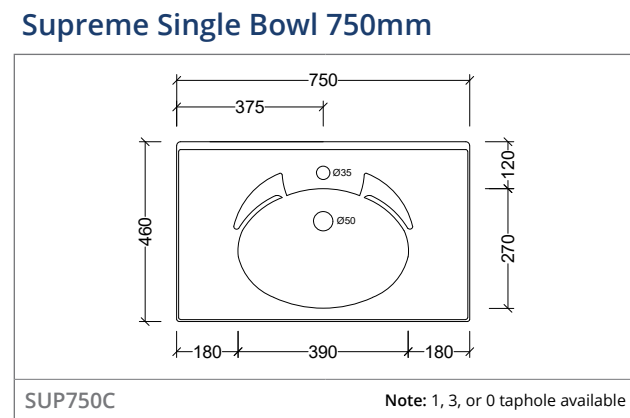
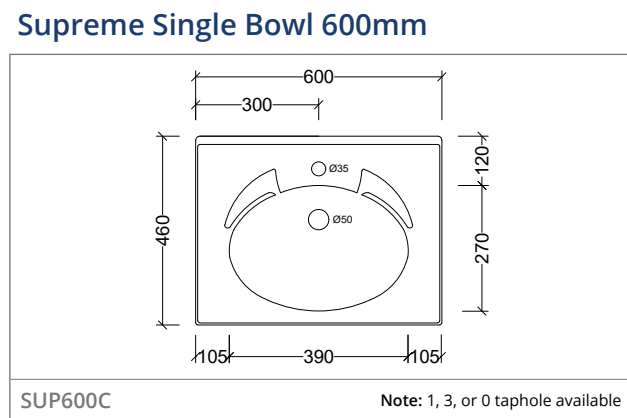


## Stadium Double Bowl 1800mm





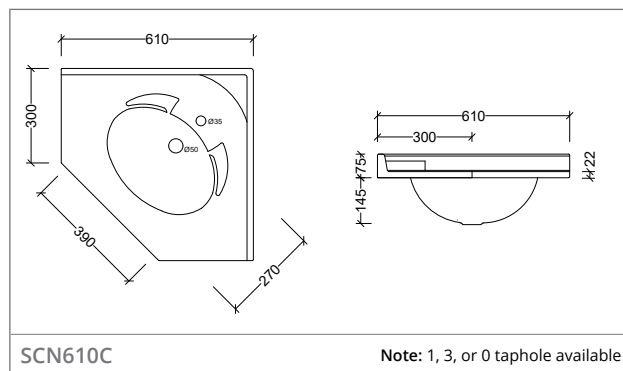
# Supreme



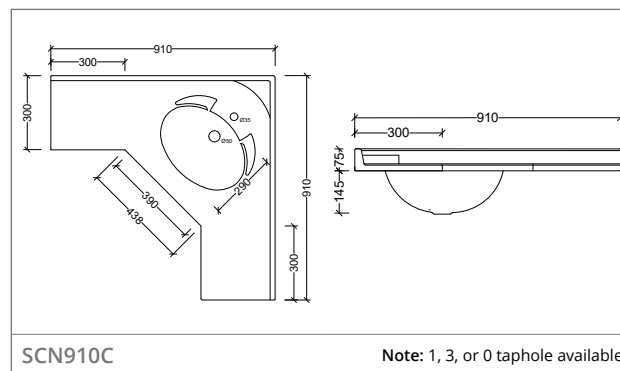
# Supreme Corner



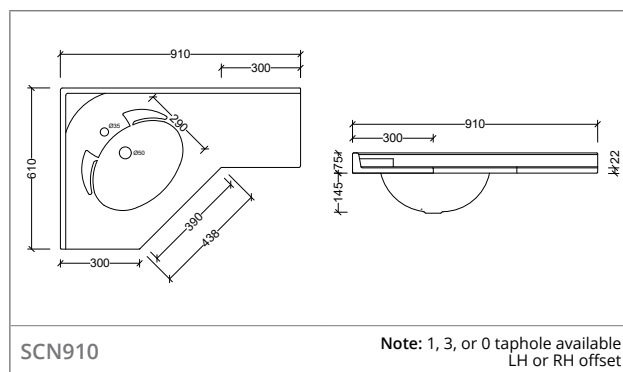
## Supreme Corner Bowl 610mm



## Supreme Corner Bowl 910mm



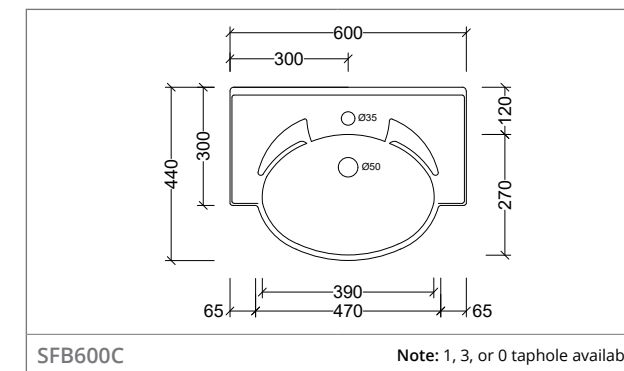
## Supreme Corner Offset 910mm



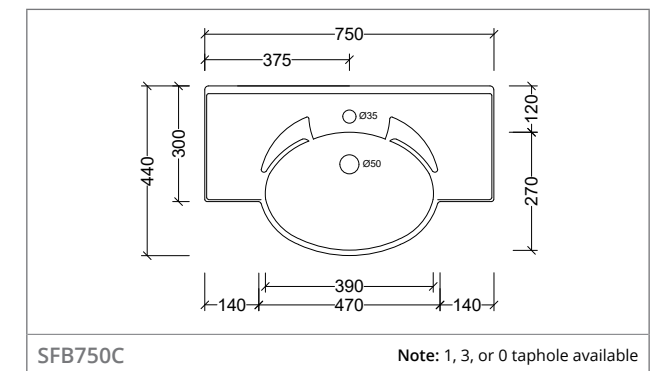
# Supreme Forward Bowl



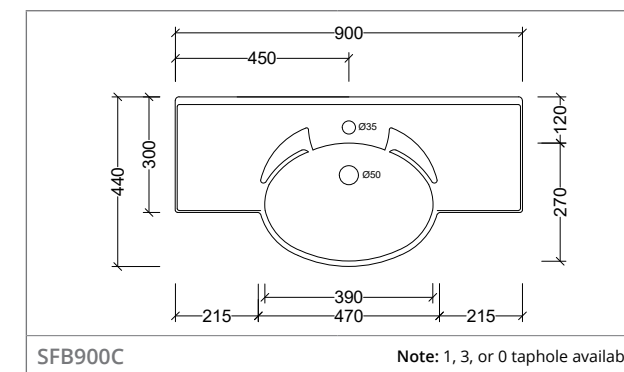
## Supreme Forward Bowl Single 600mm



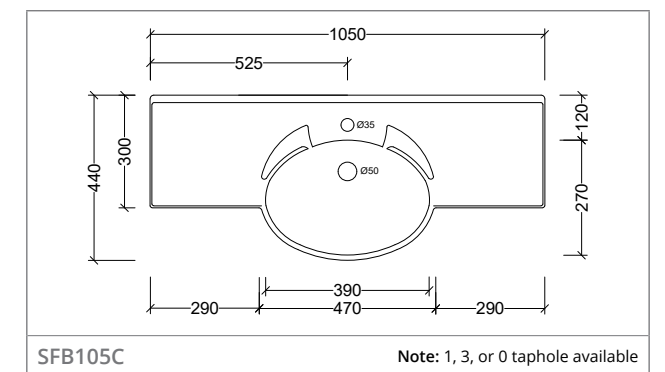
## Supreme Forward Bowl Single 750mm



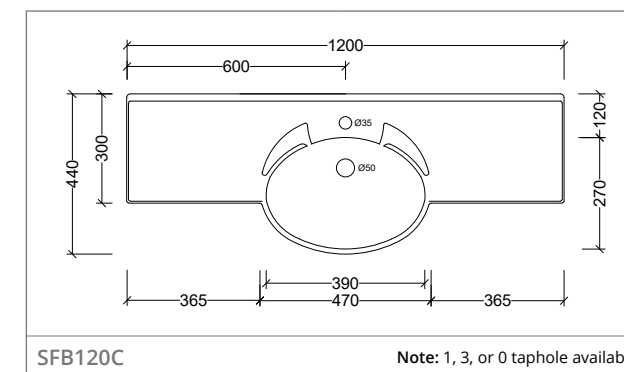
## Supreme Forward Bowl Single 900mm



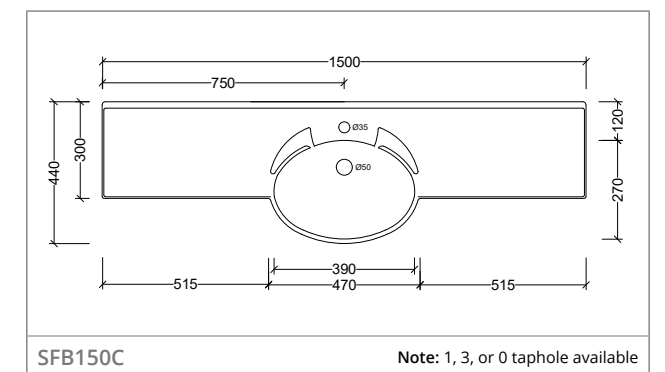
## Supreme Forward Bowl Single 1050mm



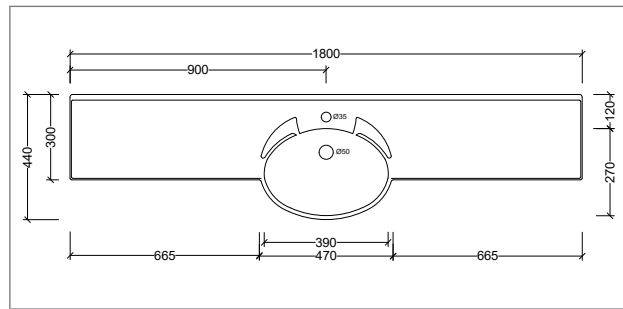
## Supreme Forward Bowl Single 1200mm



## Supreme Forward Bowl Single 1500mm

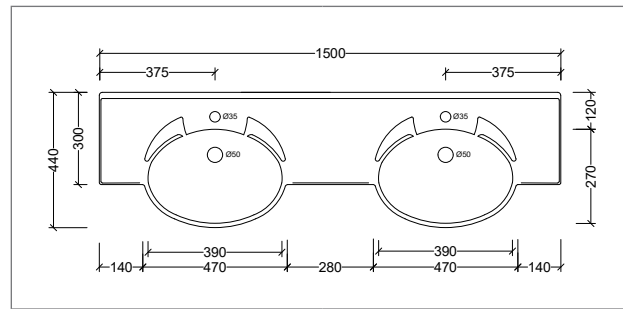


Supreme Forward Bowl Single 1800mm



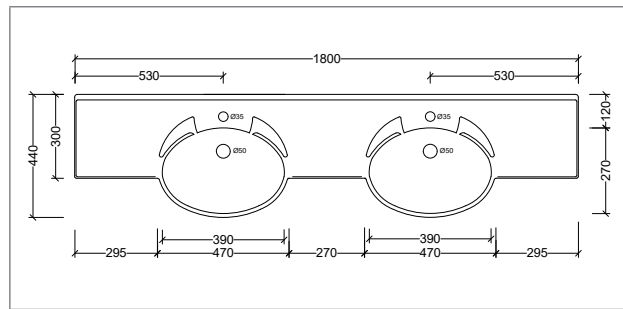
SFB180C Note: 1, 3, or 0 taphole available

Supreme Forward Bowl Double 1500mm



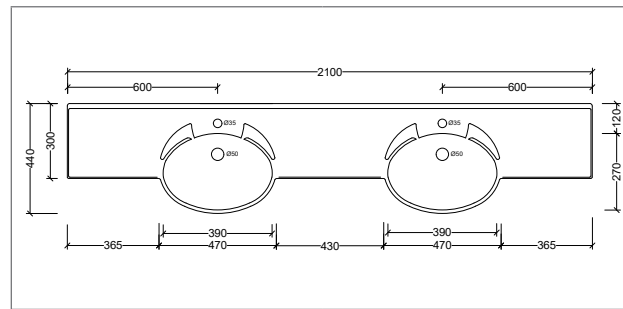
SFB150D Note: 1, 3, or 0 taphole available

Supreme Forward Bowl Double 1800mm



SFB180D Note: 1, 3, or 0 taphole available

Supreme Forward Bowl Double 2100mm

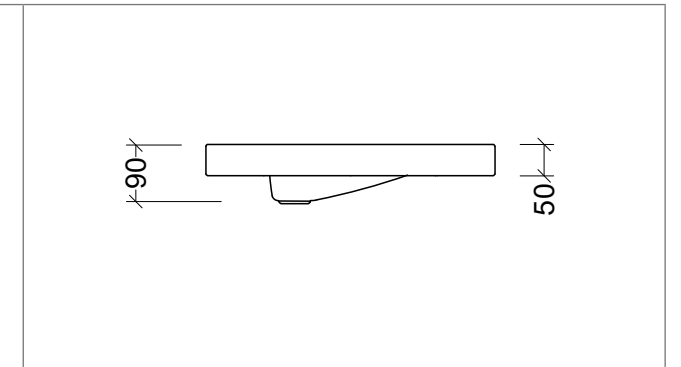


SFB210D Note: 1, 3, or 0 taphole available

# Vogue Major

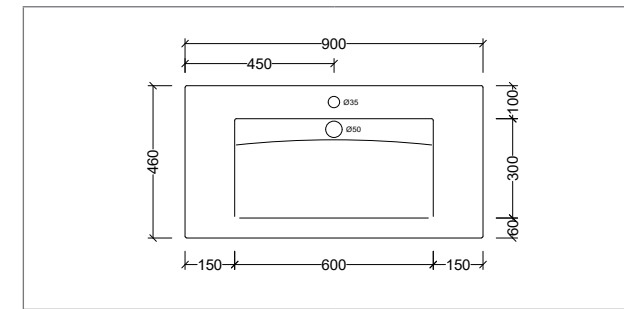


Single Bowl



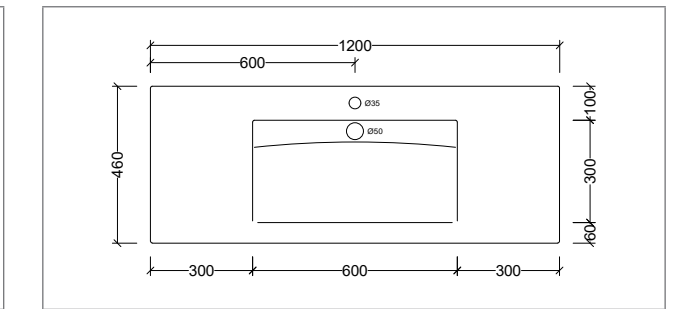
Side View - All sizes

Vogue Major Single 900mm



VMA900C Note: 1, 3, or 0 taphole available

Vogue Major Single 1200mm

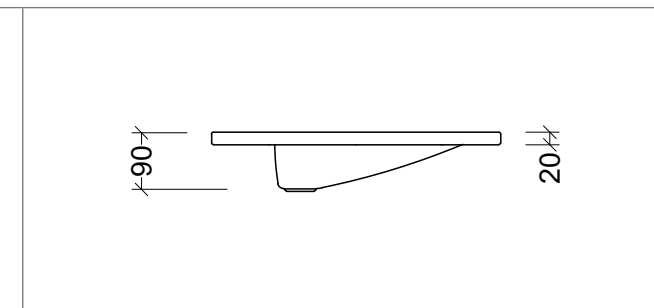


VMA120C Note: 1, 3, or 0 taphole available

# Vogue

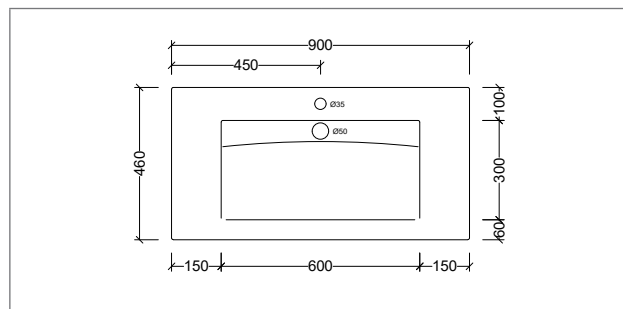


Single Bowl



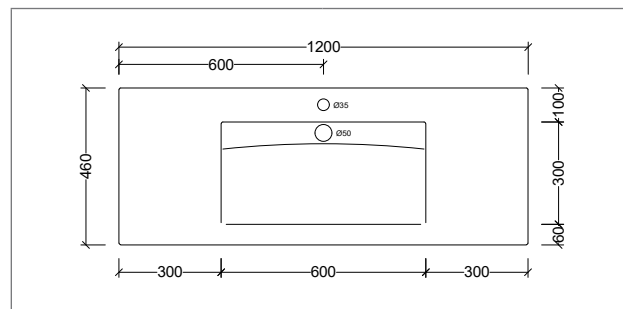
Side View - All sizes

Vogue Single 900mm



VOG900C Note: 1, 3, or 0 taphole available

Vogue Single 1200mm



VOG120C Note: 1, 3, or 0 taphole available

## Have you seen our Super Crates?

Manufactured to perfection, Duroclass can ensure your vanity top doesn't get damaged in delivery with our **Super Crates**.

Each crate is built for your order, so rest assured that your product will come without any transit damage - staying beautiful, forever.





## Product care and cleaning.

Duroclass products are easy to clean and maintain. We recommend routine cleaning with generic non-abrasive household cleaning products or natural detergents, and to wipe clean with a soft damp cloth or sponge.



- ✓ Natural detergents and cleaners



- ✓ Generic cleaners and domestic chemicals



- ✓ Resistant to everyday use, stains and cosmetics

Stubborn stains can be treated by gently rubbing the stain with a surface cleaner and non-abrasive cleaning pad and water. Avoid contact with strong chemicals such as paint removers, acetone, oven cleaners, hair dyes, and other strong chemicals.

## Warranty.

We aim to offer only the finest Mineral Composite vanity tops, crafted using high quality materials and proven manufacturing methods. As such we're proud to offer a full **10 year warranty** on all of our products.



Should you find that your goods are of an unacceptable quality within the 10 year warranty period, Duroclass will repair or replace the faulty item.

See terms and conditions.

### Terms & Conditions

Duroclass warranty will only apply where the product has been installed by a qualified tradesperson and in full accordance with our installation instructions.

This warranty does not cover damage by improper installation, accident, misuse, abuse, negligence, excessive wear and tear, improper care and lack of maintenance, heat damage, use of harsh abrasive cleaners, water and natural causes such as sunlight, humidity and other environmental conditions.

Installation, cleaning and maintenance instructions must be followed to ensure validity of warranty.

Duroclass' liability is limited to repair, replacing, or giving a credit for the faulty goods and it does not include installation expenses and/or damages or removal of any unit. The purchaser must provide proof of purchase when making a claim. The warranty will be voided if a

damaged or incorrect unit has been installed.

Our goods come with guarantees that cannot be excluded under the Australian Consumer Law. You are entitled to a replacement or refund for a major failure and for compensation for any other reasonably foreseeable loss or damage. You are also entitled to have the goods repaired or replaced if the goods fail to be of acceptable quality and the failure does not amount to a major failure.

To make a claim please contact Duroclass on the phone number or email address below.

Please note that installation of any product is regarded as acceptance of that product and therefore no claims for faulty or damaged goods can be made after installation. Any claim for faulty or damaged goods must be made within 48 hours from receipt of product.

Want to know more?  
Get in touch!

☎ +61 2 6773 8585

✉ sales@duroclass.com.au

🌐 duroclass.com.au



**Thank you for  
supporting Australian  
manufacturing**



## Duroclass

22 Myrtle Drive  
Armidale NSW 2350



+61 2 6773 8585

[sales@duroclass.com.au](mailto:sales@duroclass.com.au)

[www.duroclass.com.au](http://www.duroclass.com.au)

