



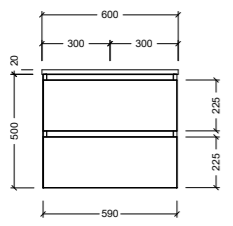
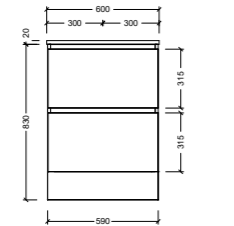
VANITY TOPS  
BEAUTIFUL  
FOREVER



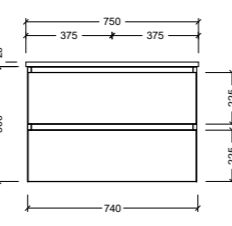
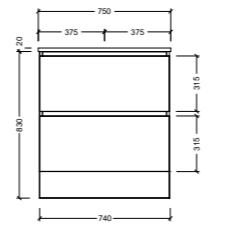
JUNE 2022  
**VANITY PACKAGE**

## All-Drawer Vanity

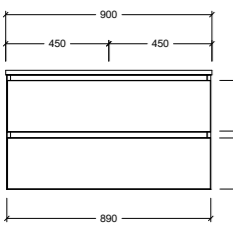
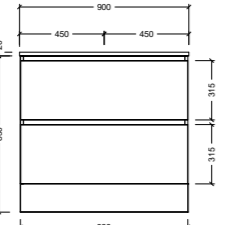
### 600mm Vanity with Mineral Composite Top

Wall Hung	Floor Standing
	
ADV600MW \$896.52	ADV600MF \$956.52

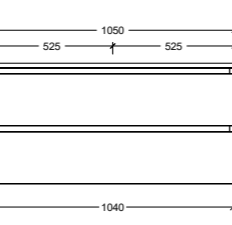
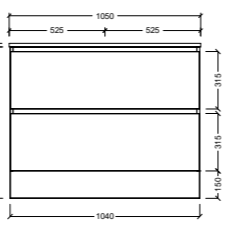
### 750mm Vanity with Mineral Composite Top

Wall Hung	Floor Standing
	
ADV750MW \$949.75	ADV750MF \$1,093.62

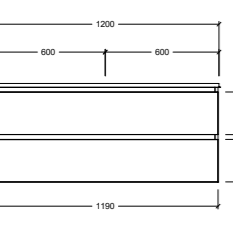
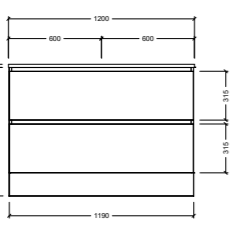
### 900mm Vanity with Mineral Composite Top

Wall Hung	Floor Standing
	
ADV900MW \$1,007.75	ADV900MF \$1,140.03

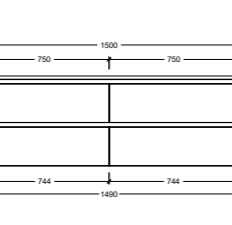
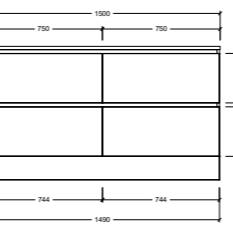
### 1050mm Vanity with Mineral Composite Top

Wall Hung	Floor Standing
	
ADV105MW \$1,114.08	ADV105MF \$1,242.27

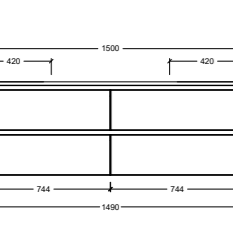
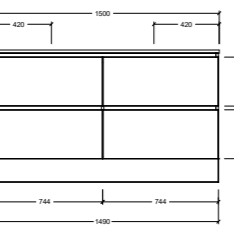
### 1200mm Vanity with Mineral Composite Top

Wall Hung	Floor Standing
	
ADV120MW \$1,220.42	ADV120MF \$1,344.50

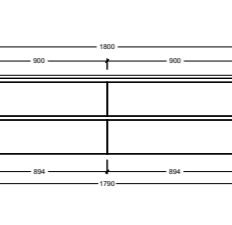
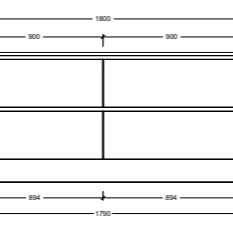
### 1500mm Single Vanity with Mineral Composite Top

Wall Hung	Floor Standing
	
ADV150MW \$2,036.92	ADV150MF \$2,096.64

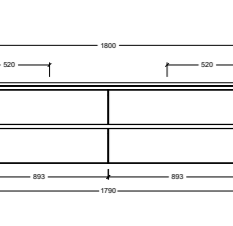
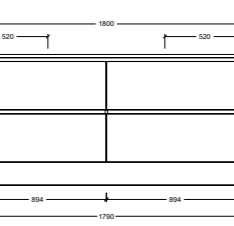
### 1500mm Double Vanity with Mineral Composite Top

Wall Hung	Floor Standing
	
ADV150DMW \$2,253.06	ADV150DMF \$2,313.60

### 1800mm Single Vanity with Mineral Composite Top

Wall Hung	Floor Standing
	
ADV180MW \$2,280.70	ADV180MF \$2,425.52

### 1800mm Double Vanity with Mineral Composite Top

Wall Hung	Floor Standing
	
ADV180DMW \$2,437.50	ADV180DMF \$2,506.24

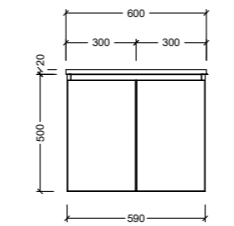
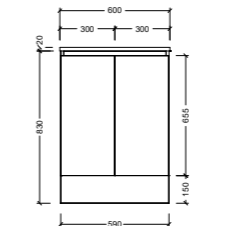
Scan for Detailed Drawings



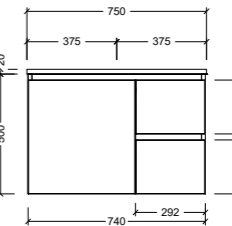
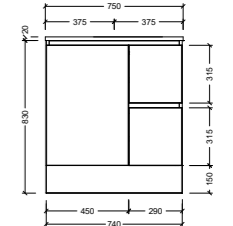
All vanities include Monaco, Essential or Stadium range top + Chrome waste. Prices include freight cost but exclude GST. Prices subject to change without notice.

## Cupboard and Drawer Combination Vanity

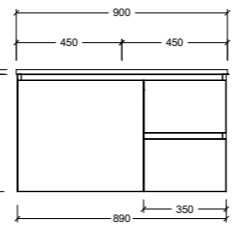
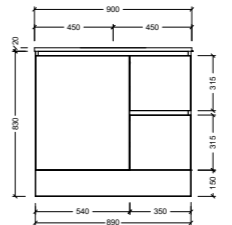
### 600mm Vanity with Mineral Composite Top

Wall Hung	Floor Standing
	
V600MW \$629.25	V600MF \$719.93

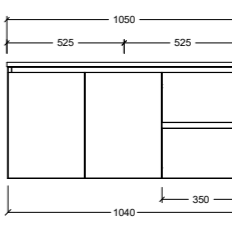
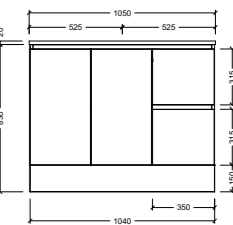
### 750mm Vanity with Mineral Composite Top

Wall Hung	Floor Standing
	
V750MW \$687.93	V750MF \$748.62

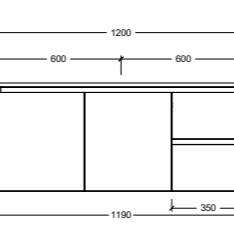
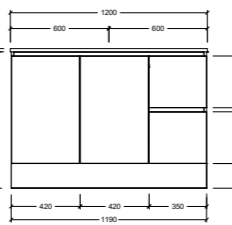
### 900mm Vanity with Mineral Composite Top

Wall Hung	Floor Standing
	
V900MW \$739.12	V900MF \$792.30

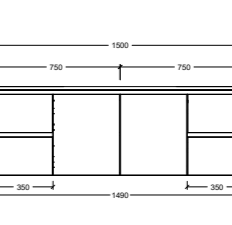
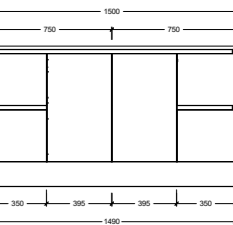
### 1050mm Vanity with Mineral Composite Top

Wall Hung	Floor Standing
	
V105MW \$839.31	V105MF \$901.02

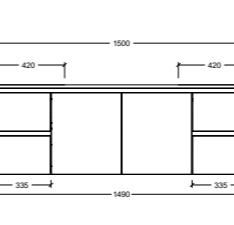
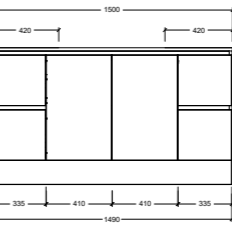
### 1200mm Vanity with Mineral Composite Top

Wall Hung	Floor Standing
	
V120MW \$939.50	V120MF \$1,009.73

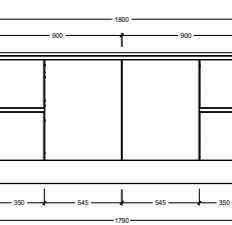
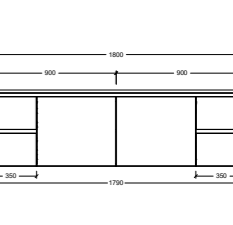
### 1500mm Single Vanity with Mineral Composite Top

Wall Hung	Floor Standing
	
V150MW \$1,548.46	V150MF \$1,657.28

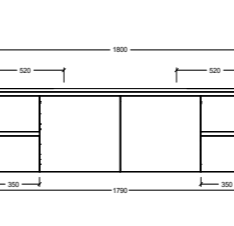
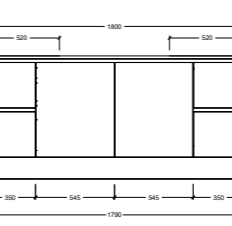
### 1500mm Double Vanity with Mineral Composite Top

Wall Hung	Floor Standing
	
V150DMW \$1,688.52	V150DMF \$1,797.34

### 1800mm Single Vanity with Mineral Composite Top

Wall Hung	Floor Standing
	
V180MW \$1,789.78	V180MF \$1,896.98

### 1800mm Double Vanity with Mineral Composite Top

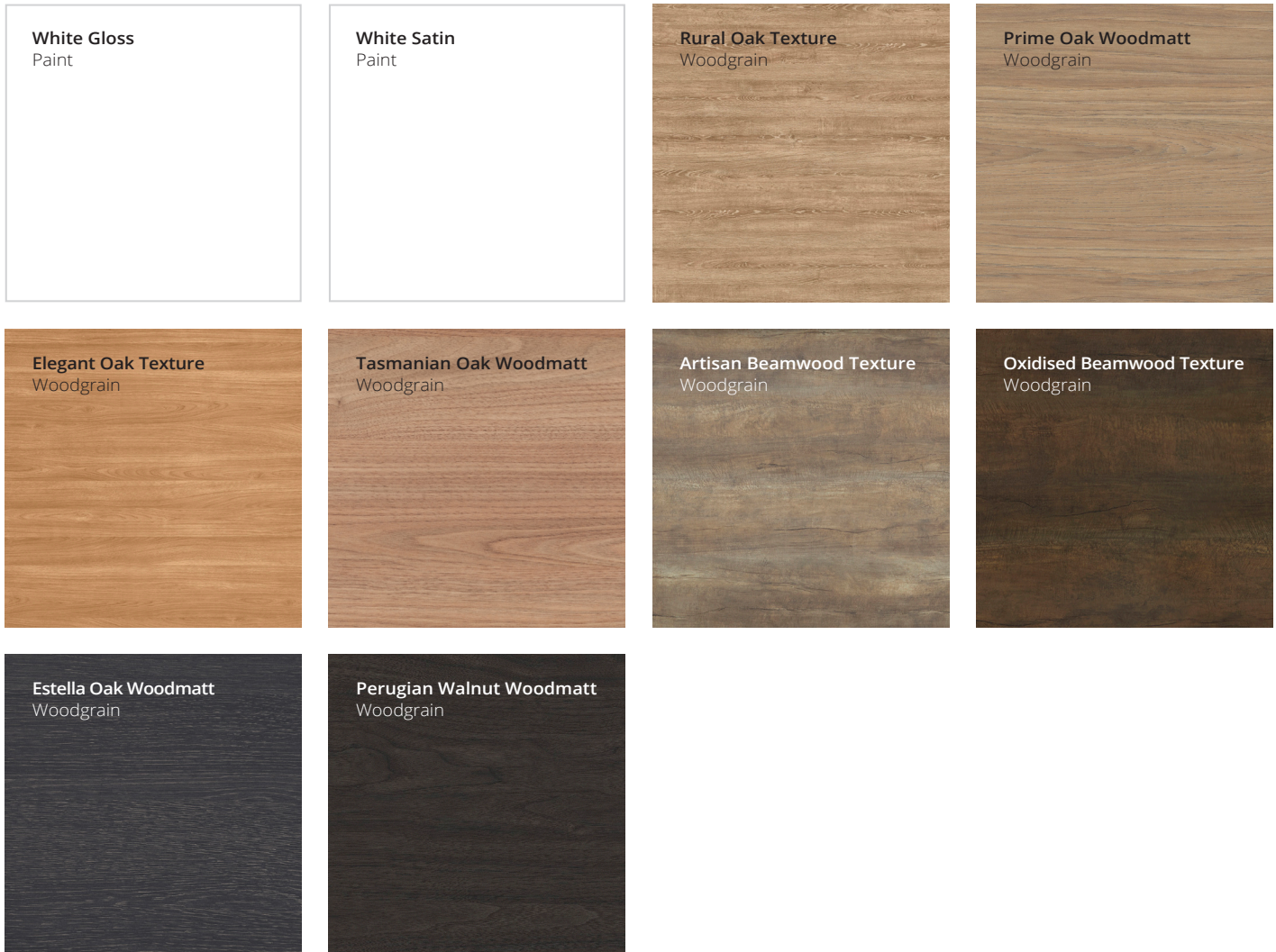
Wall Hung	Floor Standing
	
V180DMW \$1,870.50	V180DMF \$1,977.70

Scan for Detailed Drawings



Left or Right Hand options available where applicable. All vanities include Monaco, Essential or Stadium range top + Chrome waste. Prices include freight cost but exclude GST. Prices subject to change without notice.

# Finishes



# Handles



Get in touch and order now!

+61 2 6773 8585

sales@duroclass.com.au

duroclass.com.au